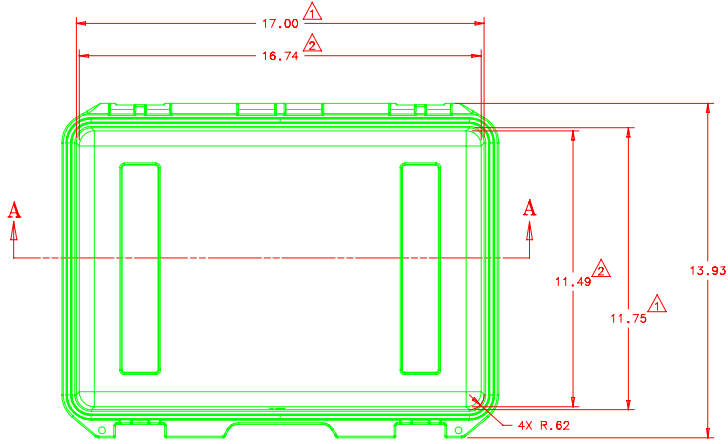
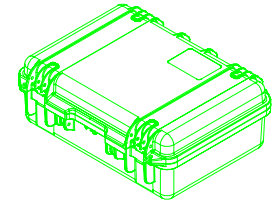


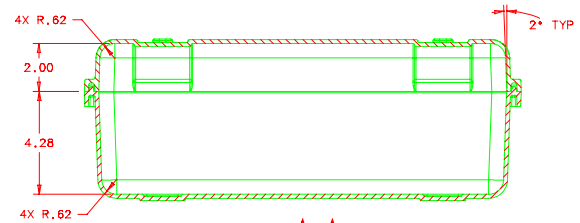
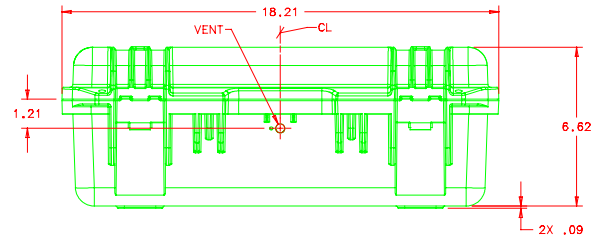
REV.	E.C.A.	DESCRIPTION	BY DATE	APP.



TOP VIEW  
SHOWN WITH LID REMOVED



ISOMETRIC VIEW



SECTION A-A

NOTES:

- ▲ INTERIOR DIMENSION TAKEN AT PARTING LINE
- ▲ INTERIOR DIMENSION TAKEN NEAR BOTTOM OF BASE, AT TOP OF .62 RADIUS
- 3.) THIS DRAWING INTENDED TO BE USED FOR SIZING FOAM CUSHIONING, COMPLETE CASE ASSEMBLY NOT SHOWN, SHELLS NOT SOLD SEPARATELY.
- 4.) THIS DRAWING AND ALL COPIES AND THE DESIGN AND DATA SHOWN ARE THE PROPERTY OF HARDIGG INDUSTRIES, INC. SO, DEERFIELD, MA U.S.A. AND INCLUDE PROPRIETARY INFORMATION.

DWT: 1000 TOLERANCE: UNLESS OTHERWISE SPECIFIED DR: APORTE DWG NO: 11214 DATE: 7/20/08	PART NO: 11214 REV: 1 DATE: 7/20/08	TITLE: DIMENSION ASSY IM2300 (SHELL)	TM <b>HARDIGG INDUSTRIES, INC.</b> SOUTH DEERFIELD, MASSACHUSETTS 01929
THIS DRAWING IS THE PROPERTY OF HARDIGG INDUSTRIES, INC. IT IS TO BE USED FOR THE MANUFACTURE OF THE PARTS AND ASSEMBLIES IDENTIFIED HEREIN. IT IS NOT TO BE REPRODUCED OR TRANSMITTED IN ANY FORM OR BY ANY MEANS, ELECTRONIC OR MECHANICAL, INCLUDING PHOTOCOPYING, RECORDING, OR BY ANY INFORMATION STORAGE AND RETRIEVAL SYSTEM, WITHOUT THE WRITTEN PERMISSION OF HARDIGG INDUSTRIES, INC.	11214 D	11214 P111-107	11214 P111
SCALE: 1/2	SHEET NO: P111	REV: -	DATE: 7/20/08