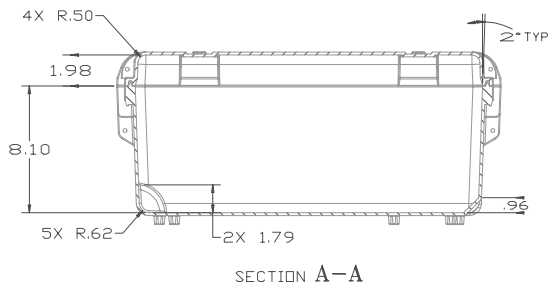
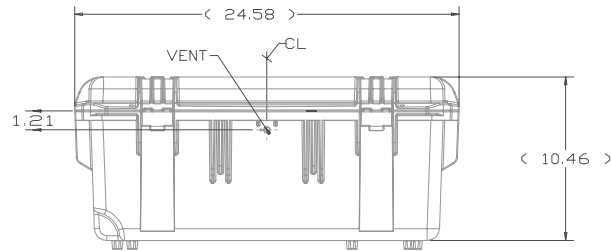
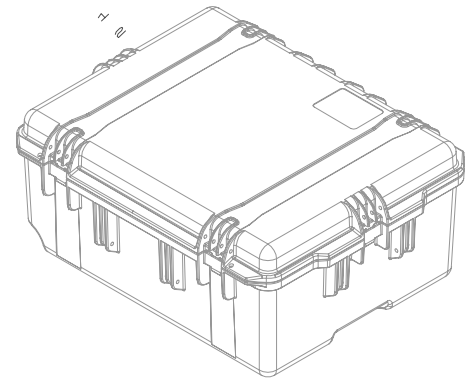
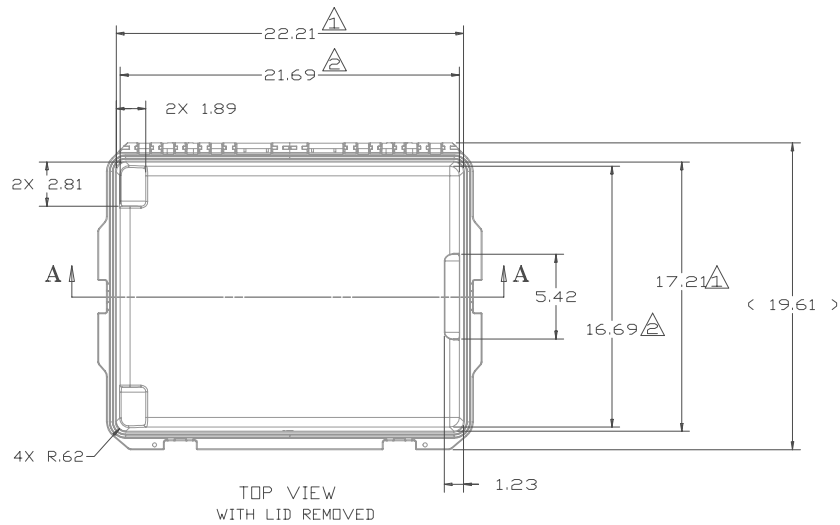


REV.	E.C.O.	DESCRIPTION	BY/DATE	APVD.



NOTES:

- ▲ INTERIOR DIMENSION TAKEN AT PARTING LINE
- ▲ INTERIOR DIMENSION TAKEN NEAR BOTTOM OF BASE, AT TOP OF .62 RADIUS
- 3.) THIS DRAWING INTENDED TO BE USED FOR SIZING FOAM CUSHIONING, COMPLETE CASE ASSEMBLY NOT SHOWN. SHELLS NOT SOLD SEPARATELY.
- 4.) THIS DRAWING AND ALL COPIES AND THE DESIGN AND DATA SHOWN ARE THE PROPERTY OF HARDIGG INDUSTRIES, INC. SO. DEERFIELD, MA U.S.A. AND INCLUDE PROPRIETARY INFORMATION.

NEXT ASSY.		UNLESS OTHERWISE SPECIFIED		XXX	h	XXX	ANGLE
TOLERANCE		SPECIFIED		±.00	h	XXX	ANGLE
DR: APINTE	DATE	ENGR:	DATE	DATE			
CHKD:	DATE	APVD:	DATE	DATE			
<small>This drawing and all copies and the design and data shown are the property of HARDIGG INDUSTRIES, INC. So. Deerfield, MA U.S.A. and include proprietary information. The borrower by receipt or retention of the drawing agrees not to accept or knowingly authorize in writing by HARDIGG INDUSTRIES, INC. It will (1) not use the drawing or any copy of the design or data shown (2) not reproduce, copy, except, exhibit or distribute the drawing or any copy for use by others and (3) upon demand return the drawing, all copies and all material copied therefrom.</small>							 HARDIGG INDUSTRIES, INC. SOUTH DEERFIELD, MASSACHUSETTS 01373
TITLE		DIMENSION ASSY		REV:			
SIZE		iM2720 (SHELL)		00			
SCALE		1/4		DESIGN NO. P111			