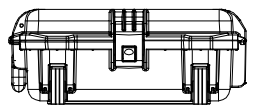
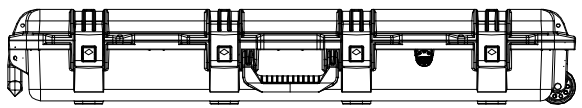
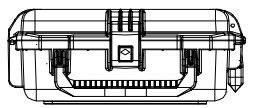
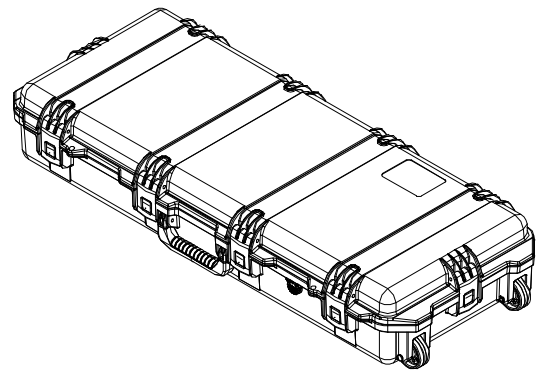
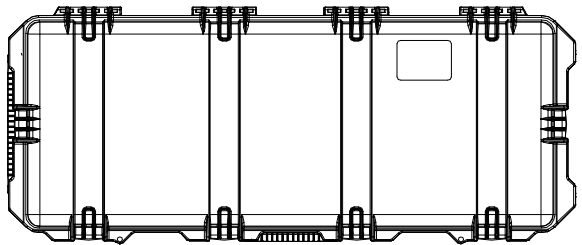


STANDARD DEFAULT OPTIONS				REV	DATE	BY	CHK
DESCRIPTION	PART NO.	QTY					
CONTAINER, INJECTION MOLDED	IN3100-00000	1					



NOTE:
 This drawing represents Hardigg's standard available hardware and markings placed in standard locations. Alternate configurable options are available upon request. If custom options or locations are required, Hardigg must quote separately.

DIMENSIONS (REFERENCE ONLY)	INSIDE		OUTSIDE	
	INCH	MM	INCH	MM
LENGTH (LEFT TO RIGHT)	36.50	927	39.81	1011
WIDTH (FRONT TO BACK)	14.00	356	16.50	419
HEIGHT	6.00	152	6.65	169
BASE HEIGHT	4.00	102		
LID HEIGHT	2.00	51		
			WEIGHT	
			LBS.	Kg


HARDIGG® CASES
 A Division of HARDIGG INDUSTRIES, INC.
 South Deerfield, Massachusetts 01373 USA

REV	DATE	BY	CHK
1	04/05/04	D. ANTOSZ	11214

IN3100 STORM CASE
 IN3100
 1 DF 2