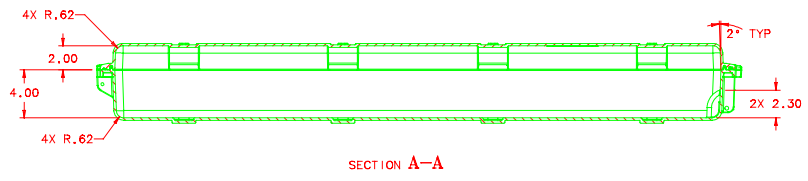
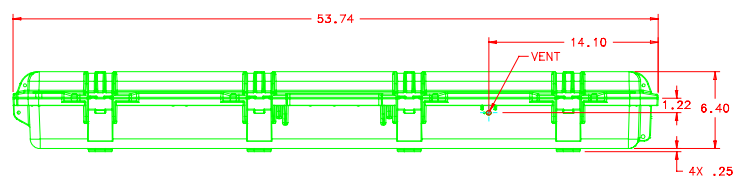
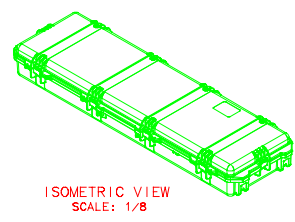
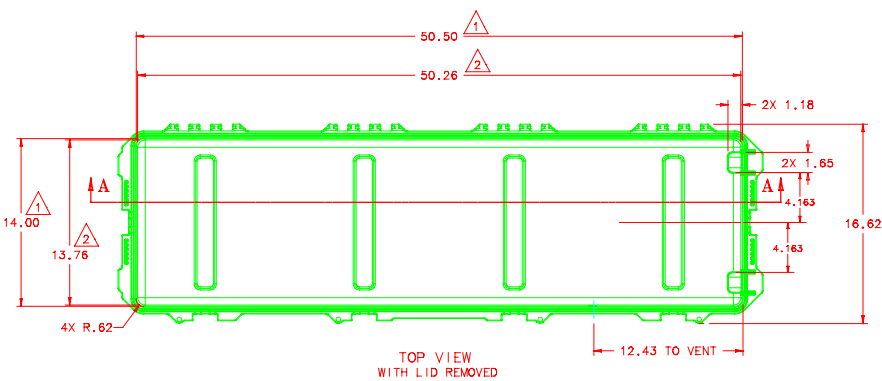


REV.	E.C.O.	DESCRIPTION	BY/DATE	APP.
------	--------	-------------	---------	------



NOTES:

- 1) INTERIOR DIMENSION TAKEN AT PARTING LINE
- 2) INTERIOR DIMENSION TAKEN NEAR BOTTOM OF BASE, AT TOP OF .62 RADIUS
- 3.) THIS DRAWING IS INTENDED TO BE USED FOR SIZING FOAM CUSHIONING, COMPLETE CASE ASSEMBLY NOT SHOWN, SHELLS NOT SOLD SEPARATELY.
- 4.) THIS DRAWING AND ALL COPIES AND THE DESIGN AND DATA SHOWN ARE THE PROPERTY OF HARDIGG INDUSTRIES, INC SO, DEERFIELD, MA U.S.A. AND INCLUDE PROPRIETARY INFORMATION.

DWG. NO.: TOLERANCE: UNLESS OTHERWISE SPECIFIED DR. APONTE DESIGNED BY: APONTE CHECKED BY: APONTE DATE:	DATE:	DATE:	HARDIGG INDUSTRIES, INC. SOUTH DEERFIELD, MASSACHUSETTS 01904	TITLE: DIMENSION ASSY IM3300 (SHELL)	SIZE: D 11214	DWG. NO.: P111-131	REV.: -
<small>THIS DRAWING IS THE PROPERTY OF HARDIGG INDUSTRIES, INC. IT IS TO BE USED ONLY FOR THE PURPOSES SPECIFIED HEREON. IT IS NOT TO BE REPRODUCED OR TRANSMITTED IN ANY FORM OR BY ANY MEANS, ELECTRONIC OR MECHANICAL, INCLUDING PHOTOCOPYING, RECORDING, OR BY ANY INFORMATION STORAGE AND RETRIEVAL SYSTEM, WITHOUT THE WRITTEN PERMISSION OF HARDIGG INDUSTRIES, INC. THIS DRAWING IS THE PROPERTY OF HARDIGG INDUSTRIES, INC. IT IS TO BE USED ONLY FOR THE PURPOSES SPECIFIED HEREON. IT IS NOT TO BE REPRODUCED OR TRANSMITTED IN ANY FORM OR BY ANY MEANS, ELECTRONIC OR MECHANICAL, INCLUDING PHOTOCOPYING, RECORDING, OR BY ANY INFORMATION STORAGE AND RETRIEVAL SYSTEM, WITHOUT THE WRITTEN PERMISSION OF HARDIGG INDUSTRIES, INC.</small>			SCALE: 1/4	DES. OR. NO.: P111			