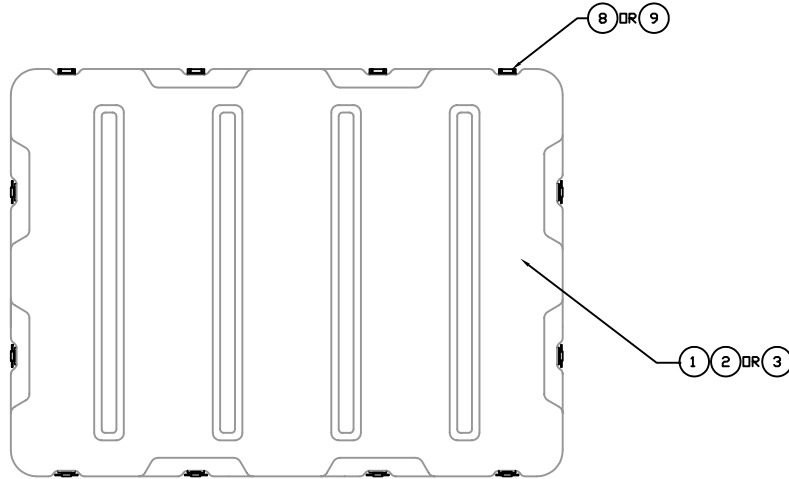


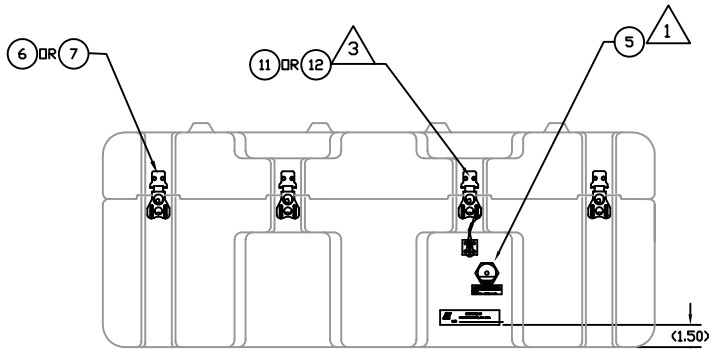
NOTES:

- 1. LOCATE PRESSURE RELIEF VALVE APPROX AS SHOWN, INSTALATION HOLE TO BE 1.06 DIA.
- 2. GASKET TO BE CLOSED LOOP.
- 3. LOCATE CABLE CATCH AS SHOWN.

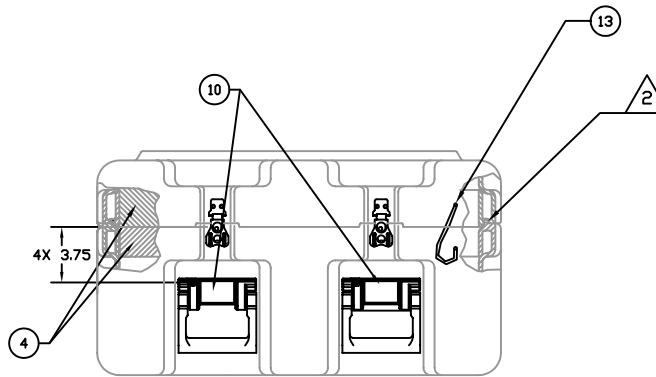
| ITEM | DESCRIPTION                     | DRAWING           | -133- | -137- | -250 | REV. | ECO.   | DESCRIPTION        | BY/DATE  | APP. |
|------|---------------------------------|-------------------|-------|-------|------|------|--------|--------------------|----------|------|
| 1    | CONTAINER,AL3424-0804,GRY-133   |                   | 1     | -     | -    | A    |        | UPDATED BOM        | VCH      |      |
| 2    | CONTAINER,AL3424-0804,GRN-137   |                   | -     | 1     | -    |      |        |                    | 03/10/20 |      |
| 3    | CONTAINER,AL3424-0804,TAN-250   |                   | -     | -     | 1    | B    | 032410 | CABLE WAS 11' LONG | DA       |      |
| 4    | CUSHION,SET,3424-0804           | 472-5-M4-M11-CUSH | 1     | 1     | 1    |      |        |                    | 04/09/04 |      |
| 5    | KIT,AIRTIGHT                    | MFG-00052-3424AT  | 1     | 1     | 1    |      |        |                    |          |      |
| 6    | KIT,CATCH&STRIKE,LG-WG,HZY      | MFG-00003-01      | 7     | -     | -    |      |        |                    |          |      |
| 7    | KIT,CATCH&STRIKE,LG-WG,HCB      | MFG-00003-04      | -     | 7     | 7    |      |        |                    |          |      |
| 8    | KIT,HINGE,HZY                   | MFG-00010-01      | 4     | -     | -    |      |        |                    |          |      |
| 9    | KIT,HINGE,SSB                   | MFG-00010-03      | -     | 4     | 4    |      |        |                    |          |      |
| 10   | KIT,HDL,INJ,MOLD,LARGE          | MFG-00031         | -     | 4     | 4    |      |        |                    |          |      |
| 11   | KIT,CATCH&STRIKE,W/CABLE,LK,HCB | MFG-00004-04      | -     | 1     | 1    |      |        |                    |          |      |
| 12   | KIT,CATCH&STRIKE,W/CABLE,LK,HZY | MFG-00004-01      | 1     | -     | -    |      |        |                    |          |      |
| 13   | KIT,CABLE,HINGE,15",SSP         | MFG-00070-15      | 2     | 2     | 2    |      |        |                    |          |      |
| 14   | -                               | -                 | -     | -     | -    |      |        |                    |          |      |
| 15   | -                               | -                 | -     | -     | -    |      |        |                    |          |      |



TOP VIEW



FRONT VIEW



RIGHT SIDE VIEW

REF:  
UNIT:5 M4'S & 5 M-11'S  
CONTRACT NO.

COMPUTER GRAPHIC SYSTEMS  
DESIGNED TO THE ORIGINAL DRAWING BY  
DATE: 03/10/20

| TOLERANCE  | UNLESS OTHERWISE SPECIFIED | 3X  | 2X  | 1X  | SCALE |
|------------|----------------------------|-----|-----|-----|-------|
| FR. HOLDEN | 03/10/20                   | DAE | DAE | DAE | 1/8   |
| CHK.       | DAE                        | DAE | DAE | DAE |       |



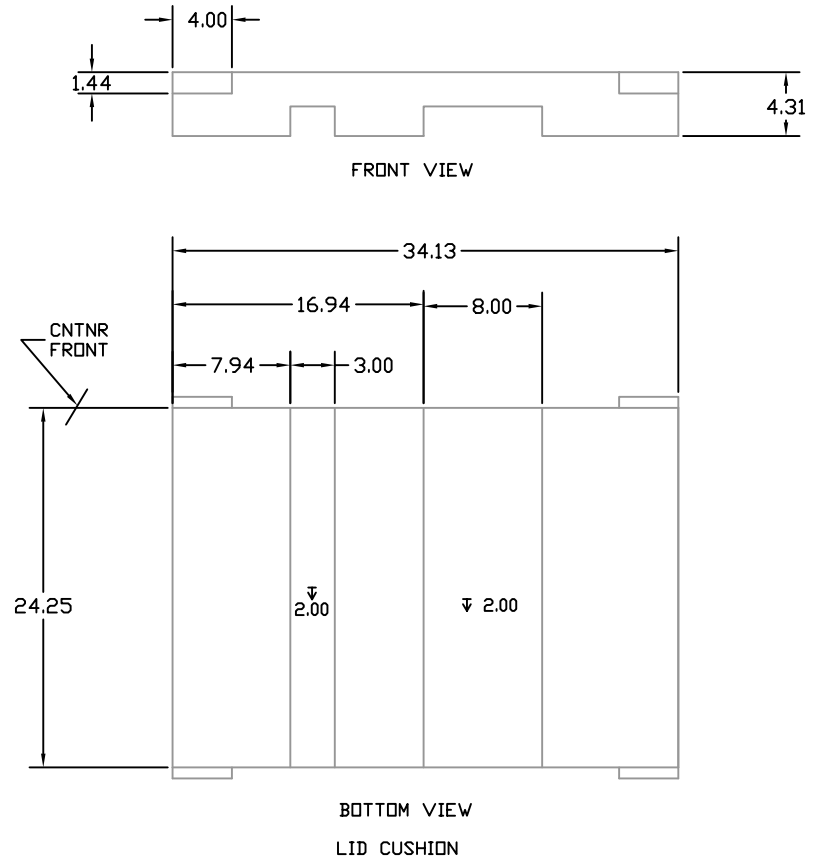
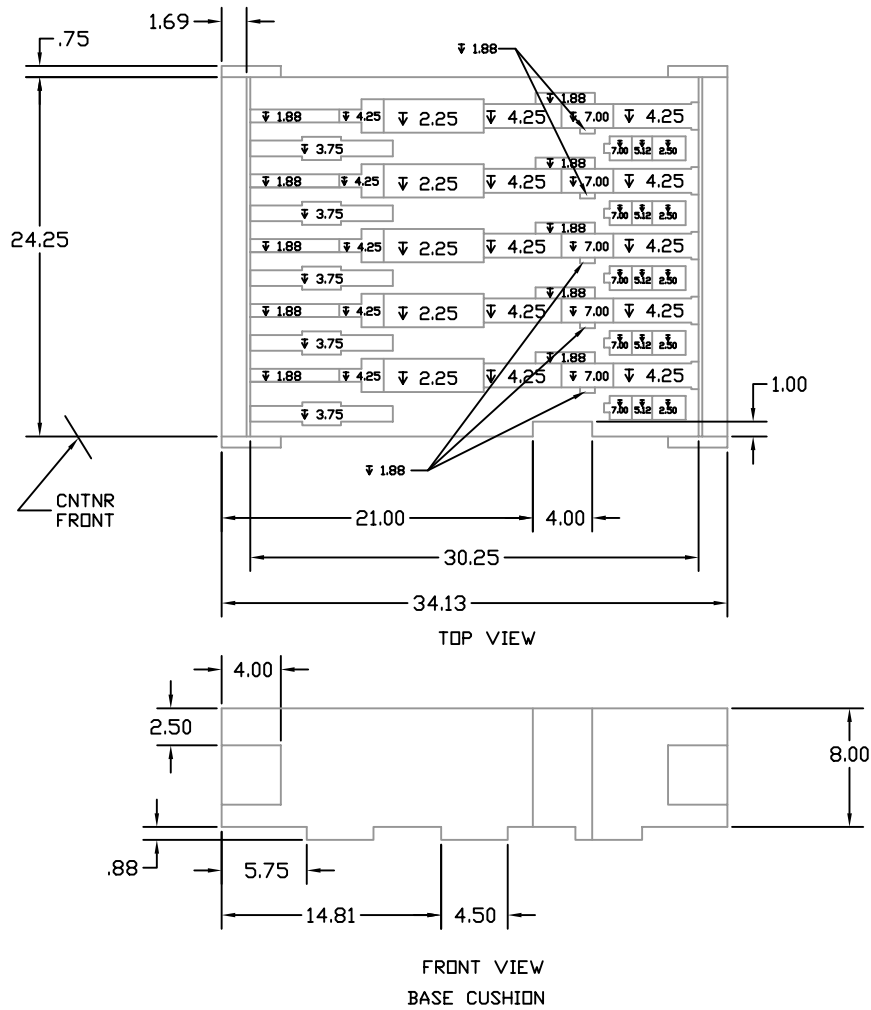
| FILE         | CONTAINER DETAILS | REV.   |
|--------------|-------------------|--------|
| AL3424-0804  |                   |        |
| SIZE D 11214 | 472-5-M4-M11B     | REV. 1 |
| PRG. NO.     |                   | 1 OF 1 |

472-5-M4-M11

NOTES:

1. MAT'L POLYETHYLENE FOAM, 2.0 PCF, COLOR BLACK.
2. LOCKING TABS : POLYESTER FOAM, 2.0 PCF COLOR GRAY.
3. ASSEMBLE CUSHION USING ENGINEERING APPROVED METHODS.
4. FOR FOAM TOLERANCES SEE DWG. P21-1215.
5. FOR ADDITIONAL DIMENSIONAL INFORMATION; PLEASE ACCESS ACAD FILE IN CONFOAM.

| ITEM | DESCRIPTION | PART NO. | QTY | REV. | E.O. | DESCRIPTION | BY/DATE         | APP. |
|------|-------------|----------|-----|------|------|-------------|-----------------|------|
| X    |             |          |     |      |      |             | XXX<br>XX/XX/XX |      |



REF:  
 UNIT: 5 M4'S & 5 M-11'S  
 CONTRACT NO.

|          |       |      |      |      |       |
|----------|-------|------|------|------|-------|
| REV. NO. | DATE  | BY   | CHK  | APP. | SCALE |
| 1        |       |      |      |      | 1/8"  |
| DESIGNED | DRAWN | ENG. | APP. | DATE |       |
|          |       |      |      |      |       |

**HARDING® INDUSTRIES, INC.**  
 South Deerfield, Massachusetts 01373

REF: CUSHION DETAILS  
 AL3424-0804

REF: 11214 | 472-5-M4-M11-CUSH  
 SHE. 1 OF 1

472-5-M4-M11-CUSH