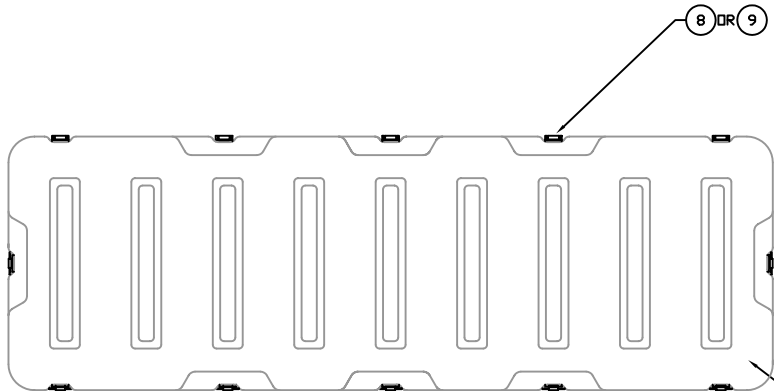


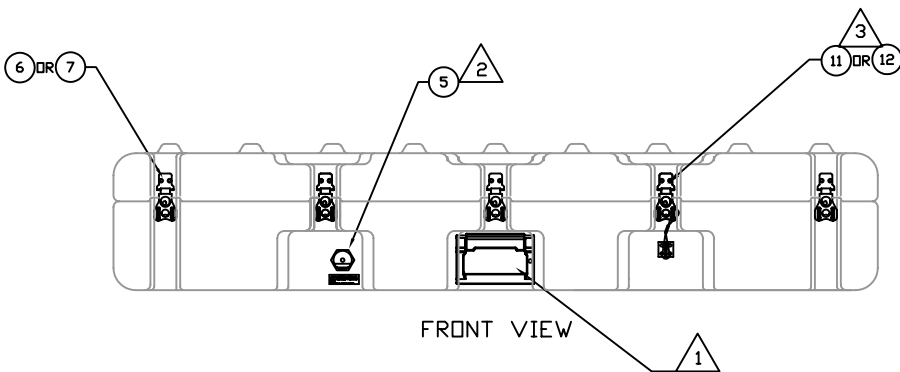
NOTES:

- 1. LOCATE EXTRA HANDLE AS SHOWN
- 2. LOCATE PRESSURE RELIEF VALVE AS SHOWN.
- 3. LOCATE CABLE CATCH LOCK AS SHOWN

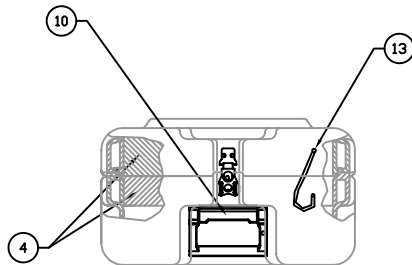
ITEM	DESCRIPTION	DRAWING	-133	-137	-250	REV	QTY	REVISION	BY/DATE	APP.
1	CONTAINER,AL 4714-0503,GRY-133		1	-	-	A		REMOVED METAL HANDLE FRONT CENTER REPLACED WITH PLASTIC HANDLE	VCH 03/03/13	
2	CONTAINER,AL 4714-0503,GRN-137		-	1	-					
3	CONTAINER,AL 4714-0503,TAN-250		-	-	1	B		ADDED ITEM # 17 COMBINATION LOCK	VCH 03/05/02	
4	CUSHION,SET 4714-0503	472-M24-102	1	1	1					
5	KIT,AIRTIGHT	MFG-00052-4714AT	1	1	1	C		UPDATED BOM AND REMOVED COMBINATION LOCK	VCH 03/10/22	
6	KIT,CATCH-&STRIKE,LG-VG,HZY	MFG-00003-01	6	-	-					
7	KIT,CATCH-&STRIKE,LG-VG,HCB	MFG-00003-04	-	6	6					
8	KIT,HINGE,HZY	MFG-00010-01	5	-	-					
9	KIT,HINGE,SSB	MFG-00010-03	-	5	5					
10	KIT,HDL,INJ,(INT),SHORT	MFG-00030	3	3	3					
11	KIT,CATCH&STRIKE,V/CABLE,LK,HCB	MFG-00004-04	-	1	1					
12	KIT,CATCH&STRIKE,V/CABLE,LK,HZY	MFG-00004-01	1	-	-					
13	KIT,CABLE,HINGE,11",SSP	MFG-00070-11	2	2	2					
14	-	-	-	-	-					
15	-	-	-	-	-					



TOP VIEW



FRONT VIEW



RIGHT SIDE VIEW

REF: 472-M24-100
UNIT: M-24 SNIPER RIFLE
CONTRACT NO.

REV	DATE	DESCRIPTION	BY	CHKD	APP	SCALE
1	03/03/13	INITIALS				1/8"

This drawing and all copies and the design and data shown are the property of HARDIGG INDUSTRIES, INC., South Deerfield, MA, U.S.A., and include proprietary information. The borrower by receipt or retention of this drawing or any copy of the design or data shown (1) will not use the design or data shown (2) and reproduce, copy, rework, modify or distribute the drawing or any copy for use by others and (3) upon demand return the drawing, all copies and all material copies therefrom.

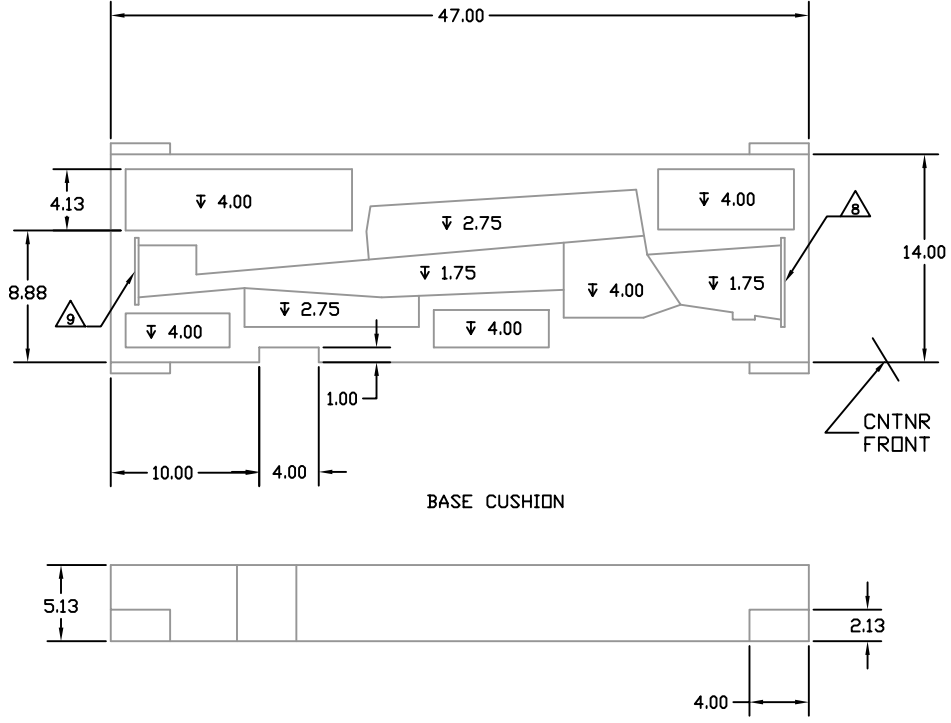
COMPUTER GRAPHICS SYSTEMS
DESIGNED TO THE STRICTEST MILITARY
STANDARDS BY THE COMPANY'S
GRAPHICS DIVISION

HARDIGG INDUSTRIES, INC.
South Deerfield, Massachusetts 01373

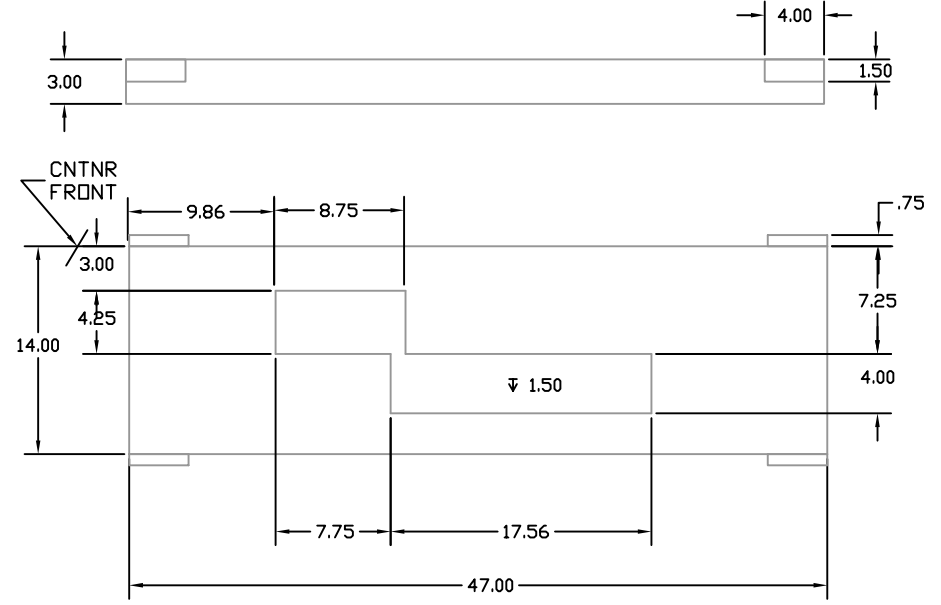
FILE: HANDLE, PRV & CABLE CATCH
AL4714-0503 DETAILS

REV: 11214 472-M-24-101 C
PAGE: 1 OF 1

ITEM	DESCRIPTION	PART NO.	QTY	REV.	DATE	BY
A	ELIMINATED RIB SPACERS & 1 CAVITY, ALSO COMBINED SOME CAVITIES			M.J.C.	01/12/27	
B	SHIFTED PRV. NOTCH 1.50" TO THE RIGHT.			M.J.C.	02/01/10	
C	REDEW CUSHION			WCH	03/06/06	



BASE CUSHION



LID CUSHION

- NOTES:
- MAT'L POLYETHYLENE FOAM, 2.0 PCF, COLOR BLACK.
 - ASSEMBLE CUSHION USING ENGINEERING APPROVED METHODS.
 - FOR ADDITIONAL DIMENSIONAL INFORMATION; PLEASE ACCESS ACAD FILE IN CONFOAM.
 - FOR FOAM TOLERANCES SEE DWG. P21-1215.
 - FOR CONTAINER ASS'Y. SEE DWG. 472-M-24-101.
 - MAT'L: POLYESTER FOAM, 2.0 PCF, COLOR GRAY (LOCKING TABS)

- △ HDPE LOADSPREADER, 6.00 X 4.00 X .25, COLOR BLACK.
- △ HDPE LOADSPREADER, 4.50 X 4.00 X .25, COLOR BLACK.

REF:
UNIT: M-24 SNIPER RIFLE
CONTRACT NO.

DATE	01/12/27
BY	MJC
CHKD	
APP'D	

HARDIGG INDUSTRIES, INC.
South Deerfield, Massachusetts 01373

This drawing and all copies and the design and data shown are the property of HARDIGG INDUSTRIES, INC. No part of this drawing, or its contents, shall be reproduced, stored in a retrieval system, or transmitted in any form or by any means, electronic, mechanical, photocopying, recording, or otherwise, without the prior written permission of HARDIGG INDUSTRIES, INC. All rights reserved.

DATE: 01/12/27
BY: MJC
CHKD: [Signature]
APP'D: [Signature]

THIS DRAWING IS THE PROPERTY OF HARDIGG INDUSTRIES, INC. NO PART OF THIS DRAWING IS TO BE REPRODUCED, STORED IN A RETRIEVAL SYSTEM, OR TRANSMITTED IN ANY FORM OR BY ANY MEANS, ELECTRONIC, MECHANICAL, PHOTOCOPYING, RECORDING, OR OTHERWISE, WITHOUT THE PRIOR WRITTEN PERMISSION OF HARDIGG INDUSTRIES, INC. ALL RIGHTS RESERVED.

DATE: 01/12/27
BY: MJC
CHKD: [Signature]
APP'D: [Signature]

UNIT: M-24 SNIPER RIFLE
CONTRACT NO.

CUSHION DETAILS
AL4714-0503

REV: 1
DATE: 01/12/27
BY: MJC
CHKD: [Signature]
APP'D: [Signature]

472-M-24-102C
REV: 1 OF 1

472-M-24-102