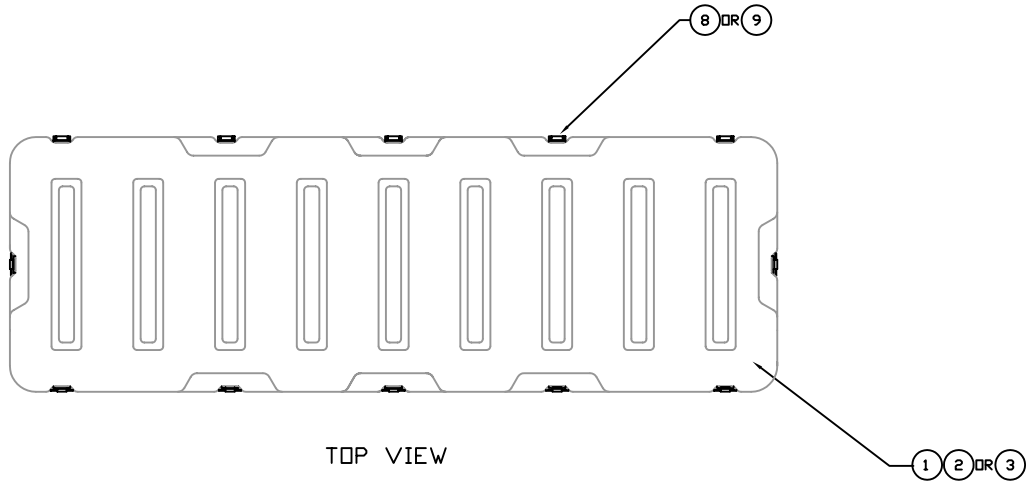


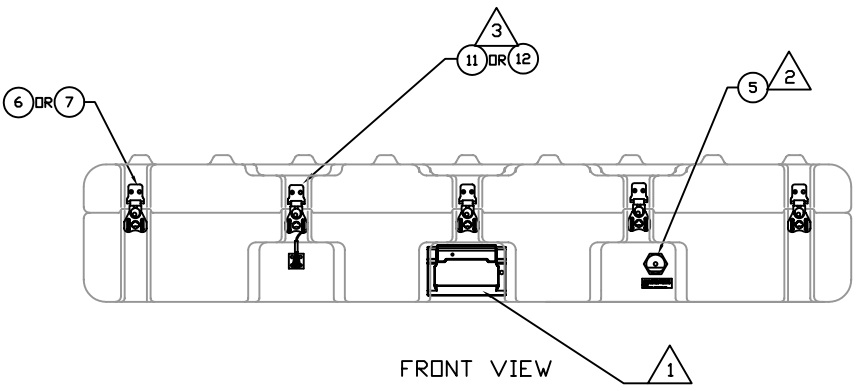
NOTES:

- 1. LOCATE EXTRA HANDLE AS SHOWN
- 2. LOCATE PRESSURE RELIEF VALVE APPROX AS SHOWN.
- 3. LOCATE CABLE CATCH LOCK AS SHOWN

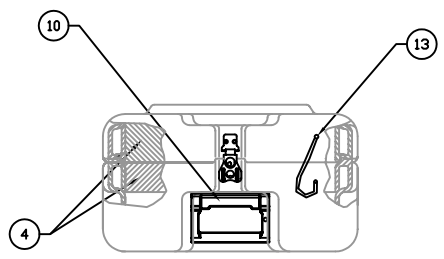
ITEM	DESCRIPTION	DRAWING	-133	-137	-250	REV.	E.O.A.	DESCRIPTION	REVISE	APP.
1	CONTAINER AL4714-0503,GRY-133		1	-	-	A		ADDED COMBINATION LOCK TO BOM	VCH	
2	CONTAINER AL4714-0503,GRN-137		-	1	-				03/04/28	
3	CONTAINER AL4714-0503,TAN-250		-	-	1	B		REMOVED COMBINATION LOCK AND UPDATED BOM	VCH	
4	CUSHION,SET 4714-0503	472-M-2-2BARRELS-102	1	1	1				03/10/28	
5	KIT AIR TIGHT	MFG-00052-4714AT	1	1	1					
6	KIT,CATCH-&STRIKE,I.G-VG,HZY	MFG-00003-01	6	-	-					
7	KIT,CATCH-&STRIKE,I.G-VG,HCB	MFG-00003-04	-	6	6					
8	KIT,HINGE,HZY	MFG-00010-01	5	-	-					
9	KIT,HINGE,SSB	MFG-00010-03	-	5	5					
10	KIT,HDL.,INJ.(INT),SHORT	MFG-00030	3	3	3					
11	KIT,CATCH&STRIKE,V/CABLE,LK,HCB	MFG-00004-04	-	1	1					
12	KIT,CATCH&STRIKE,V/CABLE,LK,HZY	MFG-00004-01	1	-	-					
13	KIT,CABLE,HINGE,11",SSP	MFG-00070-11	2	2	2					
14	-	-	-	-	-					
15	-	-	-	-	-					



TOP VIEW



FRONT VIEW



RIGHT SIDE VIEW

REF: 472-M-2-2BARRELS
 UNIT: M2 50 CAL MACHINE GUN BARRELS
 CONTRACT NO. COMPLETE CHANGE SHEET
 ISSUED TO THE PROCEEDING
 DRAWING BY THE CONTRACTOR
 SERVICES OFFICE

REV. 1/8	SCALE	1/8
TOLERANCE UNLESS OTHERWISE SPECIFIED	±.001	±.001
DATE	03/04/28	DATE
BY	VCH	DATE
CHECKED		DATE

HARDIGG INDUSTRIES, INC.
 South Deerfield, Massachusetts 01373

HANDLE & PRV DETAILS
 AL4714-0503

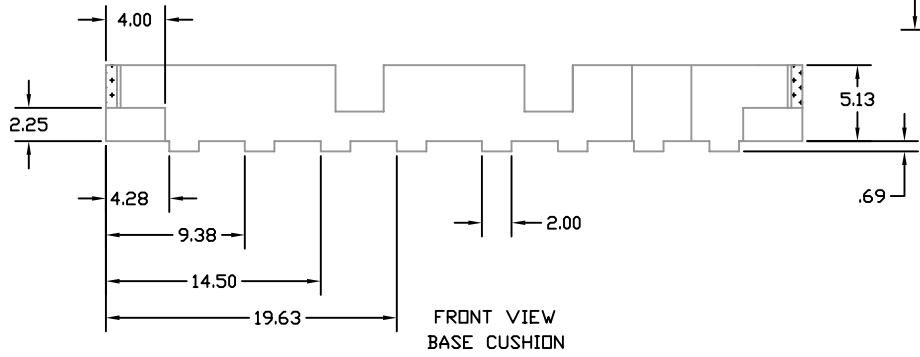
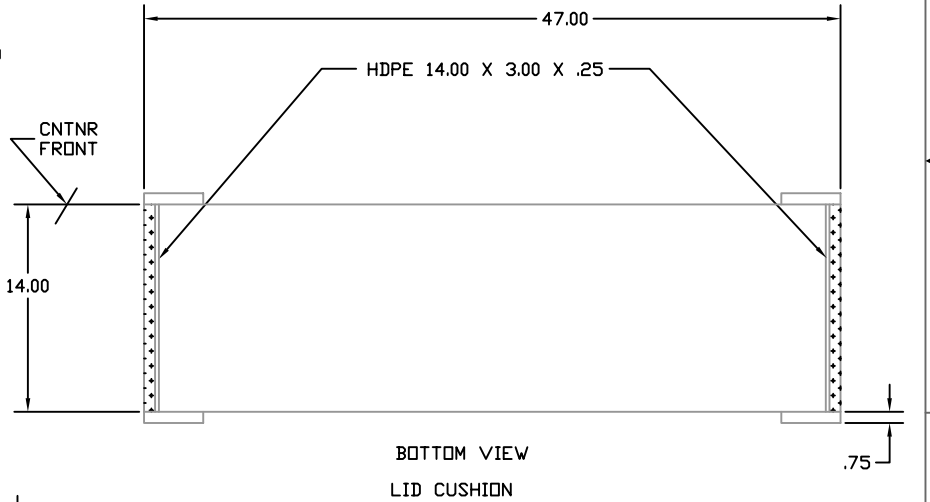
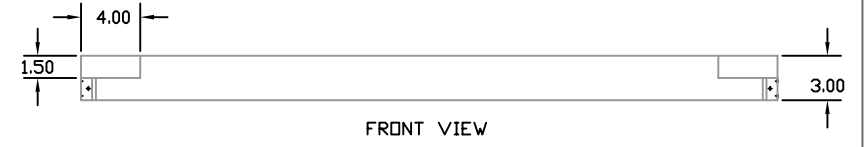
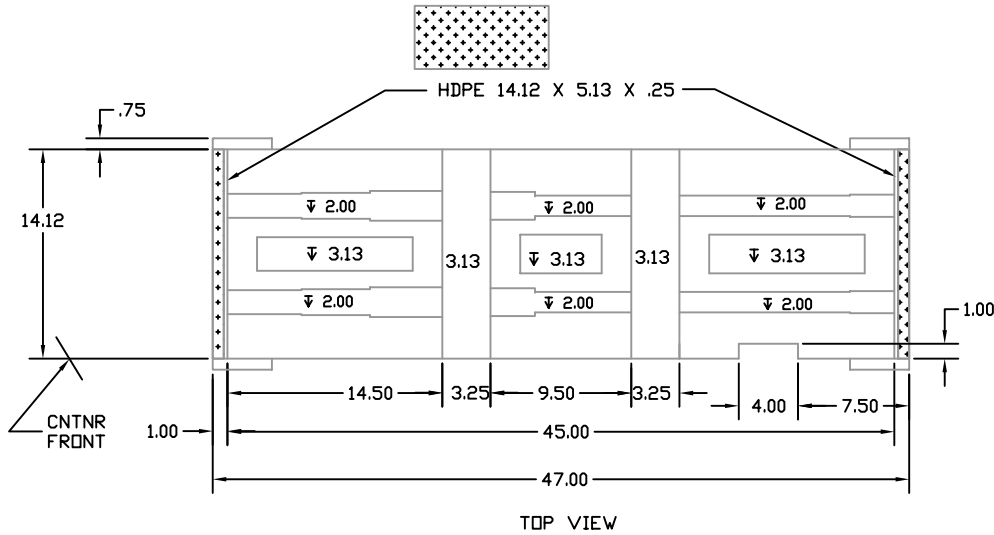
REV. 1/8
 D 11214 472-M-2-2BARRELS
 1 of 1

472-M-2-2BARRELS

NOTES:

1. MAT'L POLYETHYLENE FOAM, 2.0 PCF, COLOR BLACK.
2. LOCKING TABS : POLYESTER FOAM, 2.0 PCF COLOR GRAY.
3. ASSEMBLE CUSHION USING ENGINEERING APPROVED METHODS.
4. FDR FOAM TOLERANCES SEE DWG. P21-1215.
5. FDR CONTAINER ASS'Y. SEE B.O.M.
6. FDR ADDITIONAL DIMENSIONAL INFORMATION;
PLEASE ACCESS ACAD FILE IN CONFOAM.
7. MAT'L POLYETHYLENE FOAM, 4.0 PCF, COLOR BLACK.

ITEM	DESCRIPTION	PART NO.	QTY	REV	ECO	REVISION	BY/CHK	APP.
A	MOVED PREV SLOT IN BASE CUSHION						VEH	03/16/22



REF: 472-M-2-50CAL-2BARRELS
 UNIT: M2 50 CAL MACHINE GUN BARRELS
 CONTRACT NO.

REV	DATE	BY	CHKD	APP.	SCALE
1	03/04/22				1/8"

UNLESS OTHERWISE SPECIFIED:
 TOLERANCES: FRACTIONS DECIMALS ANGLES
 .0001 .0005 .0010 .0015 .0020 .0030 .0050 .0100 .0150 .0200 .0300 .0500 .1000 .1500 .2000 .3000 .5000 .7500 1.0000

DATE: 03/04/22 TIME: 1:00 PM

HARDIGG INDUSTRIES, INC.
 South Deerfield, Massachusetts 01373

FILE: CUSHION DETAILS
 AL4714-0503

DATE: 03/04/22 TIME: 1:00 PM
 DRAWN BY: VEH
 CHECKED BY: VEH
 APPROVED BY: VEH

472-M-2-2BARRELS-102
 SHEET 1 OF 1

472-M-2-2BARRELS-102