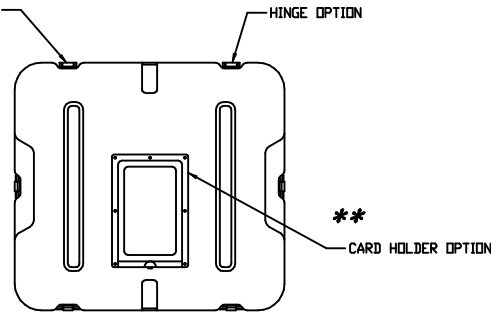
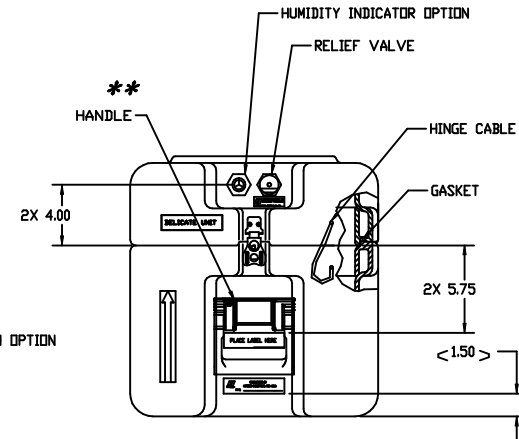
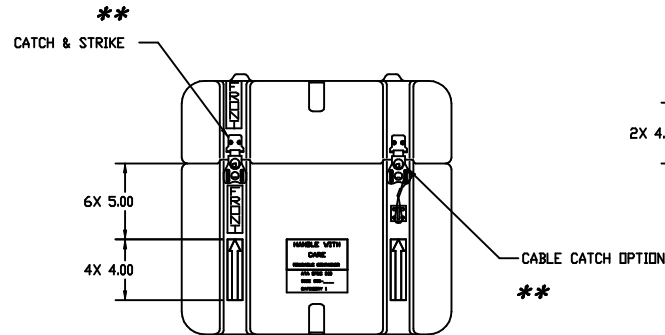
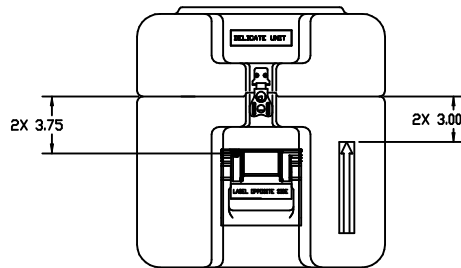


ON ALL CATCH CONTAINER LOCATE
2ND LOCKING DEVICE HERE



DIMENSIONS (FOR REFERENCE ONLY)	INCH	MM
OVERALL LENGTH (LEFT TO RIGHT)	17.50	444.5
OVERALL WIDTH (FRONT TO BACK)	16.12	409.4
OVERALL HEIGHT	17.11	434.5
INSIDE LENGTH (LEFT TO RIGHT)	14.50	368.3
INSIDE WIDTH (FRONT TO BACK)	13.12	333.2
INSIDE HEIGHT	15.42	391.6
INSIDE BASE HEIGHT	10.18	258.5
INSIDE LID HEIGHT	5.25	133.4

** ALTERNATIVE HARDWARE IS
AVAILABLE FOR "**" ITEMS.



NOTE:
THIS DRAWING REPRESENTS HARDIGG'S STANDARD CASE OPTIONS,
LOCATED IN STANDARD LOCATIONS. IF ALTERNATIVE OPTIONS OR
LOCATIONS ARE REQUIRED, HARDIGG MUST QUOTE SEPERATELY.

HARDIGG INDUSTRIES, INC. <small>SOUTH BEEFIELD, OHIO 44061-0001</small>		<small>THIS DRAWING AND ALL COPIES AND THE DESIGN AND DATA SHOWN ARE THE PROPERTY OF HARDIGG INDUSTRIES, INC. SO. BEEFIELD, OH, USA AND INCLUDE PROPRIETARY INFORMATION. THE BORROWER BY RECEIPT OR RETENTION OF THE DRAWING AGREES THAT, EXCEPT AS EXPRESSLY AUTHORIZED IN WRITING BY HARDIGG INDUSTRIES, INC. IT WILL (1) NOT USE THE DRAWING OR ANY COPY OF THE DESIGN OR DATA SHOWN (2) NOT REPRODUCE, COPY, EXCERPT, EXHIBIT OR DISTRIBUTE THE DRAWING OR ANY COPY FOR USE BY OTHERS AND (3) UPON DEMAND RETURN THE DRAWING AND ALL COPIES AND MATERIAL COPIED THEREFROM.</small>
TITLE STANDARD CONFIGURABLE CASE		
DWG. NO. 1413-1005	DATE 12/14	SHEET 1 OF 1
REV. DRAWN BY DAVE ANTOSZ	DATE 12/14/93	