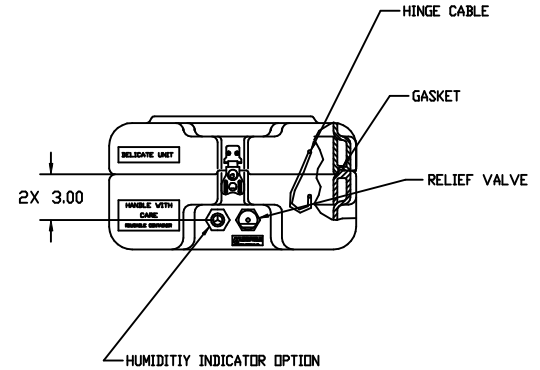
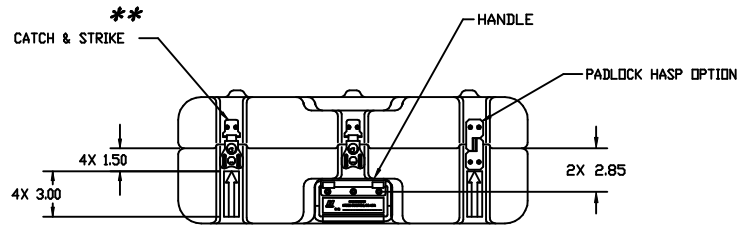
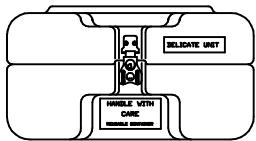


DIMENSIONS (FOR REFERENCE ONLY)	INCH	MM
OVERALL LENGTH (LEFT TO RIGHT)	22.87	580.9
OVERALL WIDTH (FRONT TO BACK)	16.00	406.4
OVERALL HEIGHT	8.69	220.7
INSIDE LENGTH (LEFT TO RIGHT)	19.87	504.7
INSIDE WIDTH (FRONT TO BACK)	13.00	330.2
INSIDE HEIGHT	7.00	177.8
INSIDE BASE HEIGHT	4.00	101.6
INSIDE LID HEIGHT	3.00	76.2

** ALTERNATIVE HARDWARE IS
AVAILABLE FOR "**" ITEMS.



NOTE:
THIS DRAWING REPRESENTS HARDIGG'S STANDARD CASE OPTIONS,
LOCATED IN STANDARD LOCATIONS. IF ALTERNATIVE OPTIONS OR
LOCATIONS ARE REQUIRED, HARDIGG MUST QUOTE SEPARATELY.

HARDIGG INDUSTRIES, INC. <small>10000 BEEFIELD RD. BEEFIELD, PA 15005</small>		THIS DRAWING AND ALL COPIES AND THE DESIGN AND DATA SHOWN ARE THE PROPERTY OF HARDIGG INDUSTRIES, INC. SO BEEFIELD, PA, USA, AND INCLUDE PROPRIETARY INFORMATION. THE BORROWER BY RECEIPT OR RETENTION OF THE DRAWING AGREES THAT, EXCEPT AS EXPRESSLY AUTHORIZED IN WRITING BY HARDIGG INDUSTRIES, INC. IT WILL NOT USE THE DRAWING OR ANY COPY OF THE DESIGN OR DATA SHOWN (2) NOT REPRODUCE, COPY, EXCEPT, EXHIBIT OR DIS- TRIBUTE THE DRAWING OR ANY COPY FOR USE BY OTHERS AND (3) UPON DEMAND RETURN THE DRAWING AND ALL COPIES AND MATERIAL COPIED THEREFROM.
TITLE - STANDARD CONFIGURABLE CASE		
CASE 11214	DWG. NO. 2013-0403	
REV. B DRAWN BY: CATHY LABRIE	DATE 7/30/98	SHEET 1 OF 1