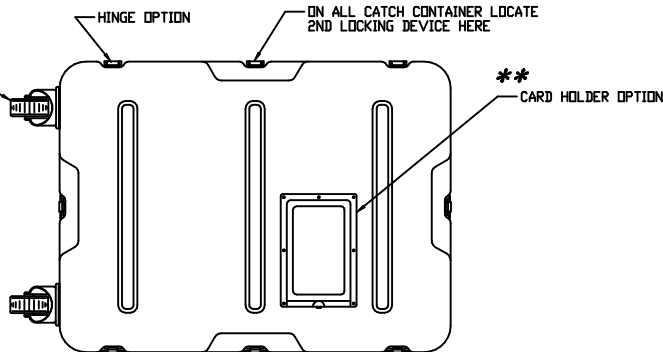
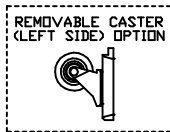
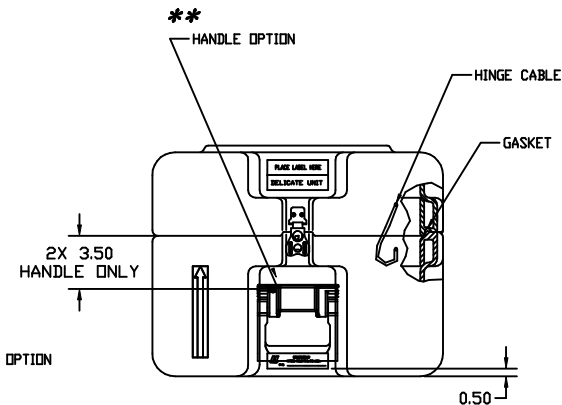
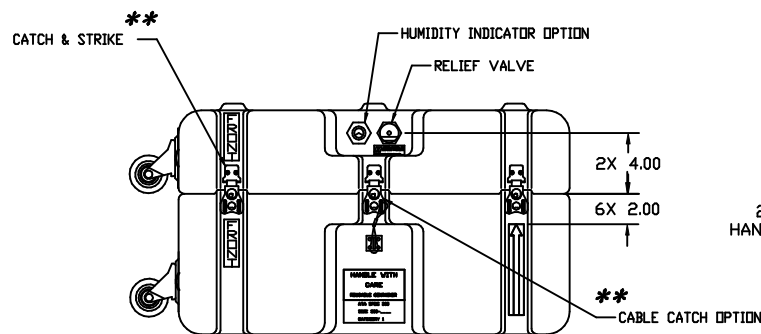
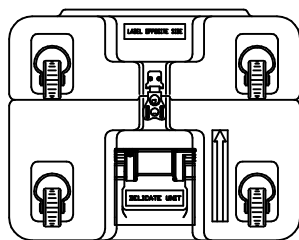


FIXED CASTER
(LEFT SIDE) OPTION



DIMENSIONS (FOR REFERENCE ONLY)	INCH	METRIC
OVERALL LENGTH (LEFT TO RIGHT)	25.00	635
OVERALL WIDTH (FRONT TO BACK)	19.00	482.6
OVERALL HEIGHT	15.37	390.4
INSIDE LENGTH (LEFT TO RIGHT)	22.00	558.8
INSIDE WIDTH (FRONT TO BACK)	16.00	406.4
INSIDE HEIGHT	13.68	347.5
INSIDE BASE HEIGHT	8.43	215.1
INSIDE LID HEIGHT	5.25	133.4

** ALTERNATIVE HARDWARE IS
AVAILABLE FOR "***" ITEMS.



CASTER OPTION - CONTAINER BOTTOM
REMOVABLE STYLE ONLY



NOTE:
THIS DRAWING REPRESENTS HARDIGG'S STANDARD CASE OPTIONS,
LOCATED IN STANDARD LOCATIONS. IF ALTERNATIVE OPTIONS OR
LOCATIONS ARE REQUIRED, HARDIGG MUST QUOTE SEPARATELY.

HARDIGG INDUSTRIES, INC. <small>10000 BIRCHFIELD, WA 98148 (206) 835-1111</small>		THIS DRAWING AND ALL COPIES AND THE DESIGN AND DATA SHOWN ARE THE PROPERTY OF HARDIGG INDUSTRIES, INC. SO BIRCHFIELD, WA, USA, AND INCLUDE PROPRIETARY INFORMATION. THE BORROWER BY RECEIPT OR RETENTION OF THE DRAWING AGREES THAT, EXCEPT AS EXPRESSLY AUTHORIZED IN WRITING BY HARDIGG INDUSTRIES, INC. IT WILL NOT USE THE DRAWING OR ANY COPY OF THE DESIGN OR DATA SHOWN OR NOT REPRODUCE, COPY, EXCEPT, EXHIBIT OR DIS- TRIBUTE THE DRAWING OR ANY COPY FOR USE BY OTHERS AND UPON DEMAND RETURN THE DRAWING AND ALL COPIES AND MATERIAL COPIED THEREFROM.
TITLE STANDARD CONFIGURABLE CASE		
CASE 11214	DWG. NO. 2216-0805	
REV. C	DRAWN BY C. LABRIE	DATE 7/30/98
	SHEET 1 OF 1	