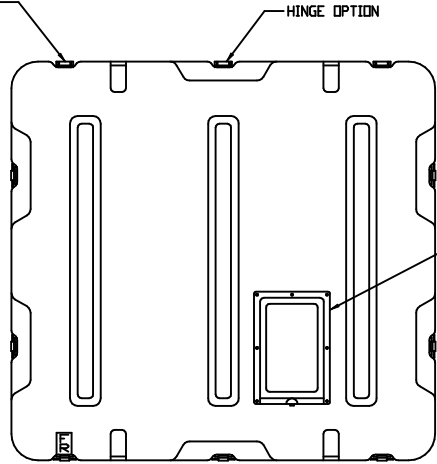
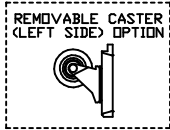
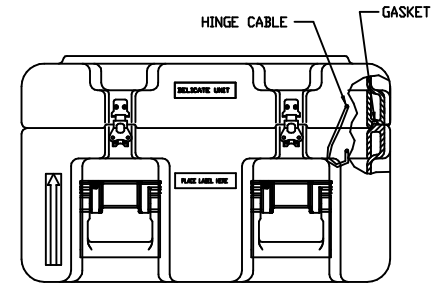
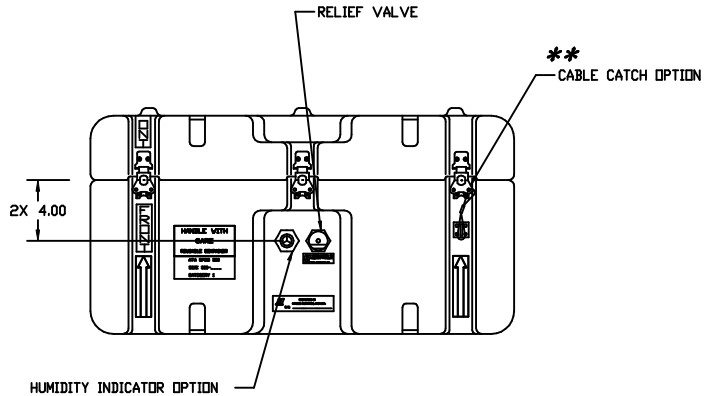
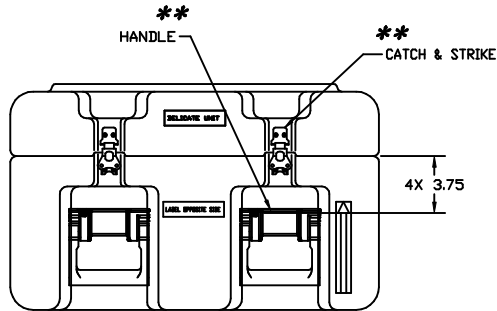


ON ALL CATCH CONTAINER LOCATE 2ND LOCKING DEVICE HERE



DIMENSIONS (FOR REFERENCE ONLY)	INCH	MM
OVERALL LENGTH (LEFT TO RIGHT)	27.88	708.2
OVERALL WIDTH (FRONT TO BACK)	26.25	666.8
OVERALL HEIGHT	14.88	378.0
INSIDE LENGTH (LEFT TO RIGHT)	24.88	632.0
INSIDE WIDTH (FRONT TO BACK)	23.88	606.6
INSIDE HEIGHT	13.25	336.6
INSIDE BASE HEIGHT	9.25	235.0
INSIDE LID HEIGHT	4.00	101.6

** ALTERNATIVE HARDWARE IS AVAILABLE FOR "**" ITEMS.



NOTE:
THIS DRAWING REPRESENTS HARDIGG'S STANDARD CASE OPTIONS, LOCATED IN STANDARD LOCATIONS. IF ALTERNATIVE OPTIONS OR LOCATIONS ARE REQUIRED, HARDIGG MUST QUOTE SEPERATELY.

CASTER OPTION - CONTAINER BOTTOM:
REMOVABLE STYLE ONLY



(MAKES CONTAINER NON-STACKABLE)

HARDIGG INDUSTRIES, INC. <small>10000 BEECHFIELD, WASHINGTON 98043-0001</small>		THIS DRAWING AND ALL COPIES AND THE DESIGN AND DATA SHOWN ARE THE PROPERTY OF HARDIGG INDUSTRIES, INC. SOLELY IN THE U.S.A. AND INCLUDE PROPRIETARY INFORMATION. THE BORROWER BY RECEIPT OR RETENTION OF THE DRAWING AGREES THAT, EXCEPT AS EXPRESSLY AUTHORIZED IN WRITING BY HARDIGG INDUSTRIES, INC. IT WILL NOT USE THE DRAWING OR ANY COPY OF THE DESIGN OR DATA SHOWN HEREIN FOR REPRODUCTION, COPY, EXCEPT, EXHIBIT OR DISTRIBUTION TO OTHERS AND UPON DEMAND RETURN THE DRAWING AND ALL COPIES AND MATERIAL COPIED THEREFROM.	
TITLE: STANDARD CONFIGURABLE CASE			
DATE: 11214	DWG. NO.: 2423-0904		
REV. C	DRAWN BY: CLABRE	DATE: 98/05/15	SHEET: 1 OF 1

2423-0904