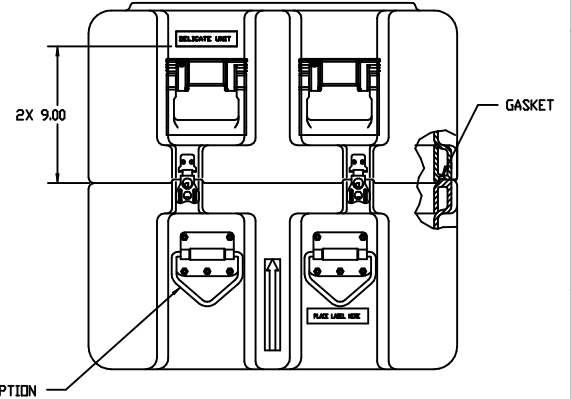
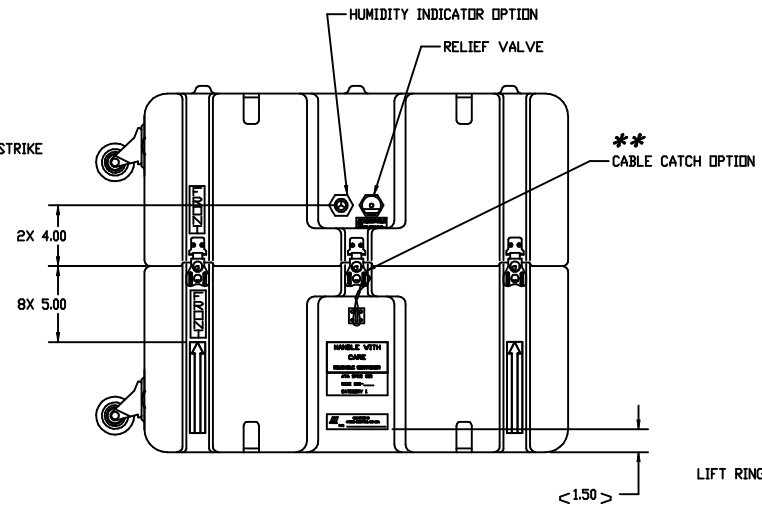
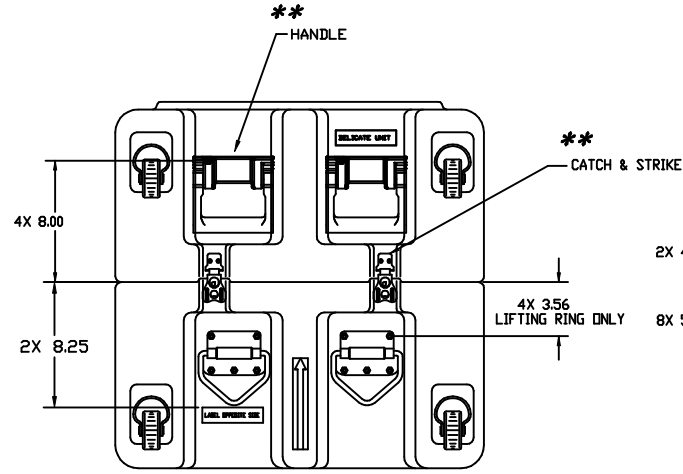
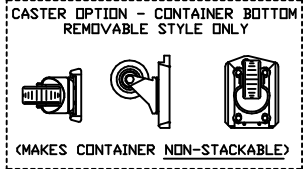


DIMENSIONS (FOR REFERENCE ONLY)	INCH	MM
OVERALL LENGTH (LEFT TO RIGHT)	27.75	704.9
OVERALL WIDTH (FRONT TO BACK)	26.25	666.8
OVERALL HEIGHT	24.69	627.1
INSIDE LENGTH (LEFT TO RIGHT)	24.75	628.7
INSIDE WIDTH (FRONT TO BACK)	23.25	590.6
INSIDE HEIGHT	22.00	558.8
INSIDE BASE HEIGHT	10.75	273.1
INSIDE LID HEIGHT	11.25	285.8

** ALTERNATIVE HARDWARE IS AVAILABLE FOR "**" ITEMS.



NOTE:
THIS DRAWING REPRESENTS HARDIGG'S STANDARD CASE OPTIONS, LOCATED IN STANDARD LOCATIONS. IF ALTERNATIVE OPTIONS OR LOCATIONS ARE REQUIRED, HARDIGG MUST QUOTE SEPERATELY.



HARDIGG INDUSTRIES, INC. <small>10000 BEECHFIELD, WASHINGTON 98040-0001</small>		THIS DRAWING AND ALL COPIES AND THE DESIGN AND DATA SHOWN ARE THE PROPERTY OF HARDIGG INDUSTRIES, INC. SOLELY IN THE U.S.A. AND INCLUDE PROPRIETARY INFORMATION. THE BORROWER BY RECEIPT OR RETENTION OF THE DRAWING AGREES THAT, EXCEPT AS EXPRESSLY AUTHORIZED IN WRITING BY HARDIGG INDUSTRIES, INC. IT WILL NOT USE THE DRAWING OR ANY COPY OF THE DESIGN OR DATA SHOWN (2) NOT REPRODUCE, COPY, EXCEPT, EXHIBIT OR DISTRIBUTE THE DRAWING OR ANY COPY FOR USE BY OTHERS AND (3) UPON DEMAND RETURN THE DRAWING AND ALL COPIES AND MATERIAL COPIED THEREFROM.
TITLE: STANDARD CONFIGURABLE CASE		
CASE: 11214	DWG. NO.: 2423-1111	
DRAWN BY: DAVE ANTOSZ	DATE: 29MAR93	SHEET: 1 OF 1

2423-1111