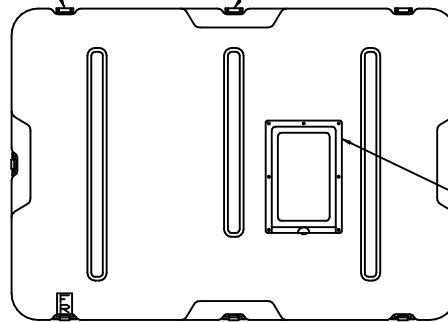


HINGE OPTION

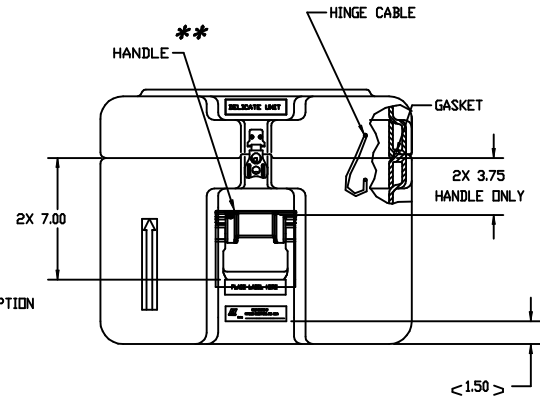
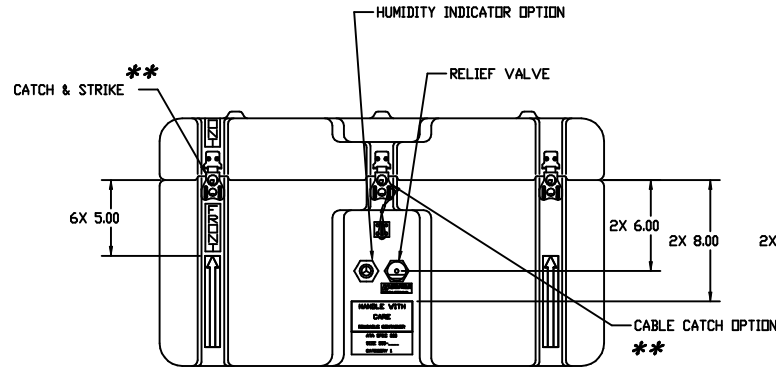
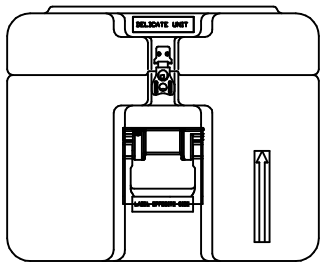
ON ALL CATCH CONTAINER LOCATE
2ND LOCKING DEVICE HERE



CARD HOLDER OPTION

DIMENSIONS (FOR REFERENCE ONLY)	INCH	MM
OVERALL LENGTH (LEFT TO RIGHT)	29.00	736.6
OVERALL WIDTH (FRONT TO BACK)	20.25	514.4
OVERALL HEIGHT	16.94	430.3
INSIDE LENGTH (LEFT TO RIGHT)	26.00	660.4
INSIDE WIDTH (FRONT TO BACK)	17.25	438.2
INSIDE HEIGHT	14.75	374.7
INSIDE BASE HEIGHT	11.00	279.4
INSIDE LID HEIGHT	3.75	95.25

*** ALTERNATIVE HARDWARE IS
AVAILABLE FOR "***" ITEMS.



NOTE:
THIS DRAWING REPRESENTS HARDIGG'S STANDARD CASE OPTIONS,
LOCATED IN STANDARD LOCATIONS. IF ALTERNATIVE OPTIONS OR
LOCATIONS ARE REQUIRED, HARDIGG MUST QUOTE SEPARATELY.

HARDIGG INDUSTRIES, INC. <small>10015 BEEFIELD, HANNOVER, NH 03040</small>		<small>THIS DRAWING AND ALL COPIES AND THE DESIGN AND DATA SHOWN ARE THE PROPERTY OF HARDIGG INDUSTRIES, INC. SO BEEFIELD, NH, USA AND INCLUDE PROPRIETARY INFORMATION. THE BORROWER BY RECEIPT OR RETENTION OF THE DRAWING AGREES THAT, EXCEPT AS EXPRESSLY AUTHORIZED IN WRITING BY HARDIGG INDUSTRIES, INC. IT WILL (1) NOT USE THE DRAWING OR ANY COPY OF THE DESIGN OR DATA SHOWN (2) NOT REPRODUCE, COPY, EXCERPT, EXHIBIT OR DISTRIBUTION THE DRAWING OR ANY COPY FOR USE BY OTHERS AND (3) UPON DEMAND RETURN THE DRAWING AND ALL COPIES AND MATERIAL COPIED THEREFROM.</small>
TITLE - STANDARD CONFIGURABLE CASE		
CAGE 11214	DWG. NO. 2617-1104	
DRAWN BY BOB CARESTA	DATE 19DEC92	SHEET 1 OF 1

2617-1104