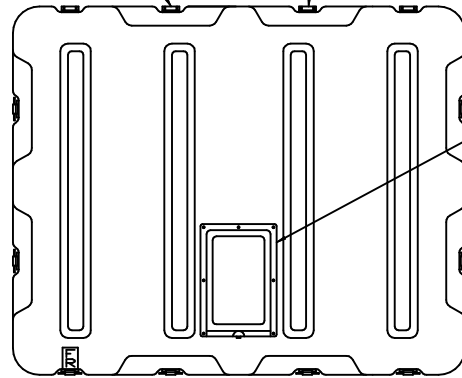


DIMENSIONS (FOR REFERENCE ONLY)	INCH	MM
OVERALL LENGTH (LEFT TO RIGHT)	32.24	818.9
OVERALL WIDTH (FRONT TO BACK)	26.87	682.5
OVERALL HEIGHT	15.50	393.7
INSIDE LENGTH (LEFT TO RIGHT)	29.24	742.7
INSIDE WIDTH (FRONT TO BACK)	23.87	606.3
INSIDE HEIGHT	13.31	338.1
INSIDE BASE HEIGHT	9.34	237.2
INSIDE LID HEIGHT	3.97	100.8

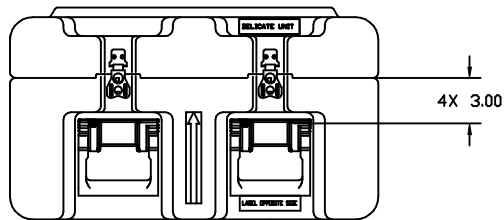
\*\* ALTERNATIVE HARDWARE IS AVAILABLE FOR "\*\*\*" ITEMS.

ON ALL CATCH CONTAINER LOCATE 2ND LOCKING DEVICE HERE

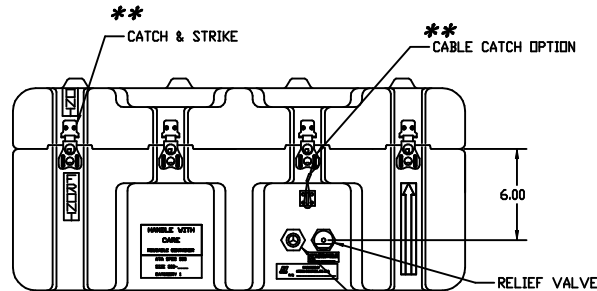
HINGE OPTION



\*\* CARD HOLDER OPTION



4X 3.00



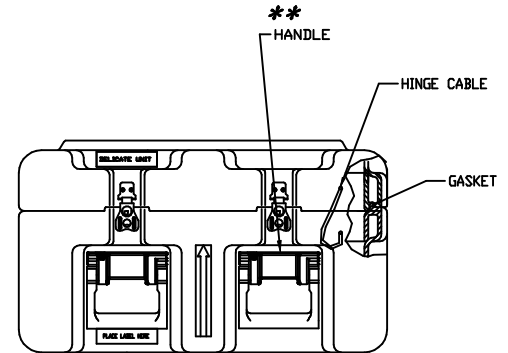
\*\* CATCH & STRIKE

\*\* CABLE CATCH OPTION

6.00

RELIEF VALVE

HUMIDITY INDICATOR OPTION



\*\* HANDLE

HINGE CABLE

GASKET

NOTE:  
THIS DRAWING REPRESENTS HARDIGG'S STANDARD CASE OPTIONS, LOCATED IN STANDARD LOCATIONS. IF ALTERNATIVE OPTIONS OR LOCATIONS ARE REQUIRED, HARDIGG MUST QUOTE SEPERATELY.

<b>HARDIGG INDUSTRIES, INC.</b> <small>10000 BEECHFIELD, WASHINGTON 98040-0000</small>		THIS DRAWING AND ALL COPIES AND THE DESIGN AND DATA SHOWN ARE THE PROPERTY OF HARDIGG INDUSTRIES, INC. SOLELY IN THE U.S.A. AND INCLUDE PROPRIETARY INFORMATION. THE BORROWER BY RECEIPT OR RETENTION OF THE DRAWING AGREES THAT, EXCEPT AS EXPRESSLY AUTHORIZED IN WRITING BY HARDIGG INDUSTRIES, INC. IT WILL (1) NOT USE THE DRAWING OR ANY COPY OF THE DESIGN OR DATA SHOWN (2) NOT REPRODUCE, COPY, EXCERPT, EXHIBIT OR DISTRIBUTE THE DRAWING OR ANY COPY FOR USE BY OTHERS AND (3) UPON DEMAND RETURN THE DRAWING AND ALL COPIES AND MATERIAL COPIED THEREFROM.
TITLE: STANDARD CONFIGURABLE CASE		
DWG. NO. 11214	DATE 2924-0904	
DRAWN BY: DAVE ANTOSZ	DATE 2MAY93	SHEET 1 OF 1

E 2924-0904