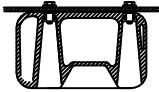


EDGE CASTER OPTION
P21-1307



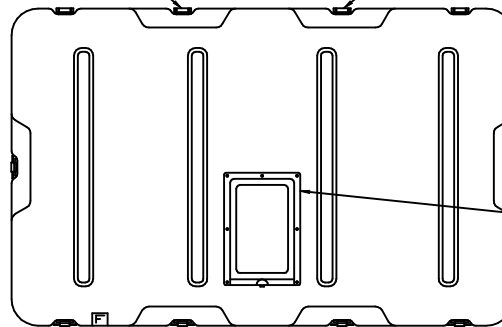
(LEFT SIDE OF CASE)

SKID RUNNER OPTION
(STACKABLE)
21-P62-04



ON ALL CATCH CONTAINER LOCATE
2ND LOCKING DEVICE HERE

HINGE OPTION



**
CARD HOLDER OPTION

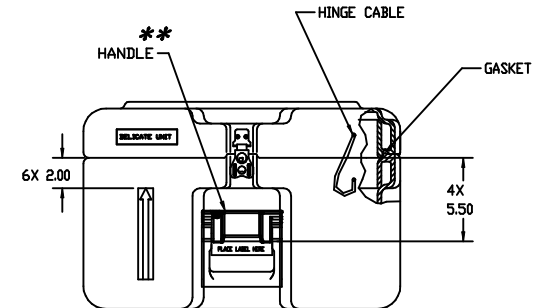
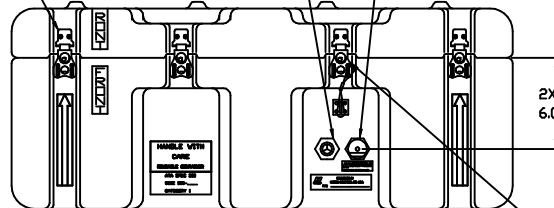
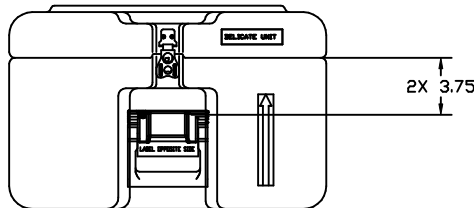
DIMENSIONS (FOR REFERENCE ONLY)	INCH	MM
OVERALL LENGTH (LEFT TO RIGHT)	32.75	818.8
OVERALL WIDTH (FRONT TO BACK)	20.87	530.1
OVERALL HEIGHT	12.61	320.3
INSIDE LENGTH (LEFT TO RIGHT)	29.75	755.7
INSIDE WIDTH (FRONT TO BACK)	17.87	453.9
INSIDE HEIGHT	10.80	274.3
INSIDE BASE HEIGHT	8.18	207.8
INSIDE LID HEIGHT	2.62	66.5

** ALTERNATIVE HARDWARE IS
AVAILABLE FOR "**" ITEMS.

**
CATCH & STRIKE

HUMIDITY INDICATOR OPTION

RELIEF VALVE



CABLE CATCH OPTION
**

CASTER OPTION - CONTAINER BOTTOM
REMOVABLE STYLE ONLY



(MAKES CONTAINER NON-STACKABLE)

NOTE:
THIS DRAWING REPRESENTS HARDIGG'S STANDARD CASE OPTIONS,
LOCATED IN STANDARD LOCATIONS. IF ALTERNATIVE OPTIONS OR
LOCATIONS ARE REQUIRED, HARDIGG MUST QUOTE SEPARATELY.

HARDIGG INDUSTRIES, INC. <small>10000 BEECHFIELD, WASHINGTON 98040-0000</small>		<small>THIS DRAWING AND ALL COPIES AND THE DESIGN AND DATA SHOWN ARE THE PROPERTY OF HARDIGG INDUSTRIES, INC. SOLELY IN THE U.S.A. AND INCLUDE PROPRIETARY INFORMATION. THE BORROWER BY RECEIPT OR RETENTION OF THIS DRAWING AGREES THAT, EXCEPT AS EXPRESSLY AUTHORIZED IN WRITING BY HARDIGG INDUSTRIES, INC. IT WILL NOT USE THE DRAWING OR ANY COPY OF THE DESIGN OR DATA SHOWN (2) NOT REPRODUCE, COPY, EXCEPT, EXHIBIT OR DISTRIBUTE THE DRAWING OR ANY COPY FOR USE BY OTHERS AND (3) UPON DEMAND RETURN THE DRAWING AND ALL COPIES AND MATERIAL COPIED THEREFROM.</small>
TITLE STANDARD CONFIGURABLE CASE		
DWG. NO. 11214	DATE 3018-0802	
REV. A DRAWN BY: DAVE ANTOSZ	DATE 02OCT93	SHEET 1 OF 1