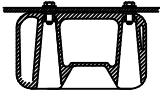


EDGE CASTER OPTION
P21-1307



(LEFT SIDE OF CASE)

SKID RUNNER OPTION
(STACKABLE)
21-P62-04



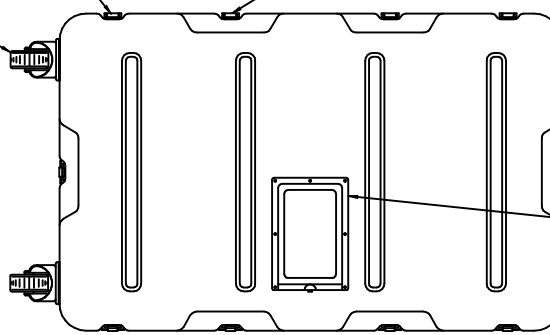
FIXED CASTER
(LEFT SIDE) OPTION

REMOVABLE CASTER
(LEFT SIDE) OPTION



HINGE OPTION

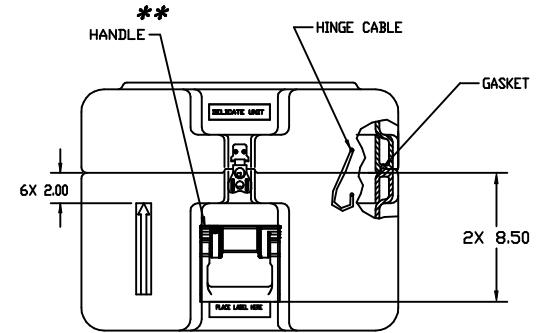
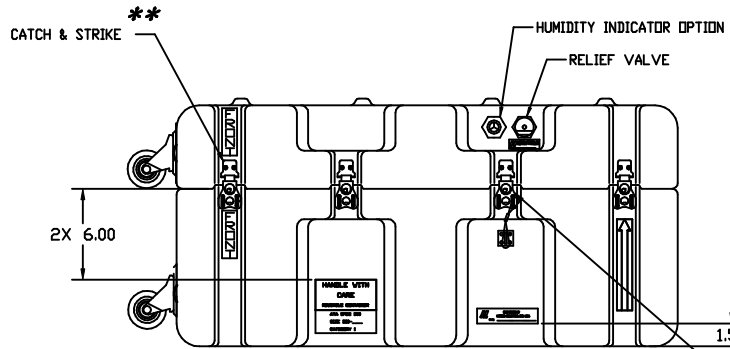
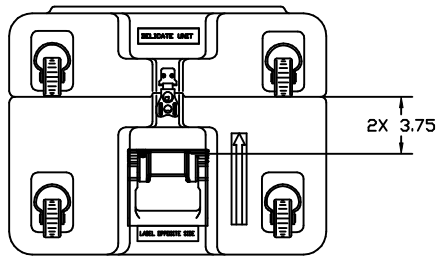
ON ALL CATCH CONTAINER LOCATE
2ND LOCKING DEVICE HERE



**
CARD HOLDER OPTION

DIMENSIONS (FOR REFERENCE ONLY)	INCH	MM
OVERALL LENGTH (LEFT TO RIGHT)	32.75	831.9
OVERALL WIDTH (FRONT TO BACK)	20.87	530.1
OVERALL HEIGHT	16.43	417.3
INSIDE LENGTH (LEFT TO RIGHT)	29.75	755.7
INSIDE WIDTH (FRONT TO BACK)	17.87	453.9
INSIDE HEIGHT	14.62	365.5
INSIDE BASE HEIGHT	9.37	238
INSIDE LID HEIGHT	5.25	133.4

** ALTERNATIVE HARDWARE IS
AVAILABLE FOR "**" ITEMS.



**
CABLE CATCH OPTION
**

CASTER OPTION - CONTAINER BOTTOM
REMOVABLE STYLE ONLY



(MAKES CONTAINER NON-STACKABLE)

NOTE:
THIS DRAWING REPRESENTS HARDIGG'S STANDARD CASE OPTIONS,
LOCATED IN STANDARD LOCATIONS. IF ALTERNATIVE OPTIONS OR
LOCATIONS ARE REQUIRED, HARDIGG MUST QUOTE SEPARATELY.

HARDIGG INDUSTRIES, INC. <small>10000 BEECHFIELD, HANNOVER, NH 03040</small>		THIS DRAWING AND ALL COPIES AND THE DESIGN AND DATA SHOWN ARE THE PROPERTY OF HARDIGG INDUSTRIES, INC. SO BEECHFIELD, NH, USA, AND INCLUDE PROPRIETARY INFORMATION. THE BORROWER BY RECEIPT OR RETENTION OF THE DRAWING AGREES THAT, EXCEPT AS EXPRESSLY AUTHORIZED IN WRITING BY HARDIGG INDUSTRIES, INC. IT WILL (1) NOT USE THE DRAWING OR ANY COPY OF THE DESIGN OR DATA SHOWN (2) NOT REPRODUCE, COPY, EXCEPT, EXHIBIT OR DIS- TRIBUTE THE DRAWING OR ANY COPY FOR USE BY OTHERS AND (3) UPON DEMAND RETURN THE DRAWING AND ALL COPIES AND MATERIAL COPIED THEREFROM.
TITLE - STANDARD CONFIGURABLE CASE		
DWG NO. 11214	DATE 3018-0905	
REV. A DRAWN BY VERNE SPILLER	DATE 93/03/08	SHEET 1 OF 1

3018-0905