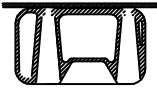


EDGE CASTER OPTION  
P21-1307

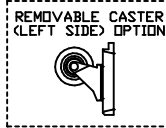


(LEFT SIDE OF CASE)

SKID RUNNER OPTION  
(STACKABLE)  
21-P62-04

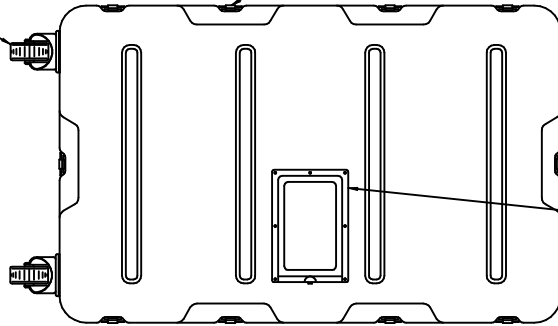


FIXED CASTER  
(LEFT SIDE) OPTION



REMOVABLE CASTER  
(LEFT SIDE) OPTION

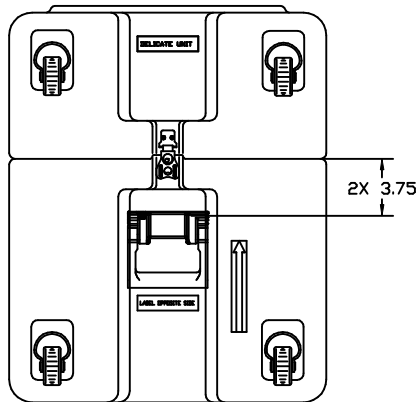
LOCATE 2ND LOCKING DEVICE HERE



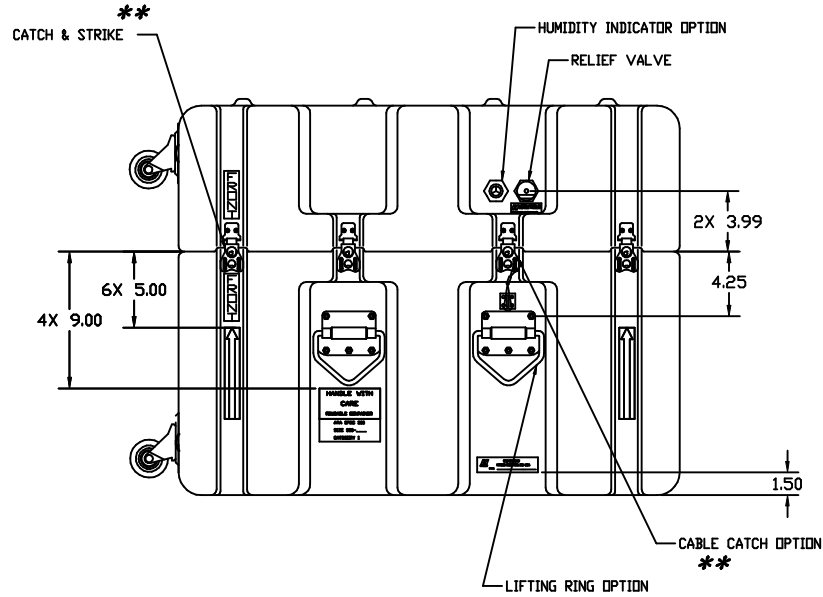
\*\*  
CARD HOLDER OPTION

DIMENSIONS (FOR REFERENCE ONLY)	INCH	MM
OVERALL LENGTH (LEFT TO RIGHT)	32.75	831.9
OVERALL WIDTH (FRONT TO BACK)	20.87	530.1
OVERALL HEIGHT	25.93	658.6
INSIDE LENGTH (LEFT TO RIGHT)	29.75	755.7
INSIDE WIDTH (FRONT TO BACK)	17.87	453.9
INSIDE HEIGHT	24.12	612.6
INSIDE BASE HEIGHT	14.87	377.7
INSIDE LID HEIGHT	9.25	235

\*\* ALTERNATIVE HARDWARE IS  
AVAILABLE FOR "\*\*" ITEMS.



2X 3.75



\*\*  
CATCH & STRIKE

HUMIDITY INDICATOR OPTION

RELIEF VALVE

\*\*  
HANDLE

GASKET

CABLE CATCH OPTION  
\*\*

LIFTING RING OPTION

NOTE:  
THIS DRAWING REPRESENTS HARDIGG'S STANDARD CASE OPTIONS,  
LOCATED IN STANDARD LOCATIONS. IF ALTERNATIVE OPTIONS OR  
LOCATIONS ARE REQUIRED, HARDIGG MUST QUOTE SEPARATELY.

CASTER OPTION - CONTAINER BOTTOM  
REMOVABLE STYLE ONLY



(MAKES CONTAINER NON-STACKABLE)

<b>HARDIGG INDUSTRIES, INC.</b> <small>10000 BEEFIELD, HANNOVER, NH 03040</small>		<small>THIS DRAWING AND ALL COPIES AND THE DESIGN AND DATA SHOWN ARE THE PROPERTY OF HARDIGG INDUSTRIES, INC. SO, BEEFIELD, NH, USA, AND INCLUDE PROPRIETARY INFORMATION. THE BORROWER BY RECEIPT OR RETENTION OF THE DRAWING AGREES THAT, EXCEPT AS EXPRESSLY AUTHORIZED IN WRITING BY HARDIGG INDUSTRIES, INC. IT WILL (1) NOT USE THE DRAWING OR ANY COPY OF THE DESIGN OR DATA SHOWN (2) NOT REPRODUCE, COPY, EXCEPT, EXHIBIT OR DISTRIBUTUTE THE DRAWING OR ANY COPY FOR USE BY OTHERS AND (3) UPON DEMAND RETURN THE DRAWING AND ALL COPIES AND MATERIAL COPIED THEREFROM.</small>
<b>TITLE</b> - STANDARD CONFIGURABLE CASE		
<b>DWG. NO.</b> 11214	<b>DATE</b> 3018-1509	
<b>REV. A</b> DRAWN BY: VERNE SPILLER	<b>DATE</b> 93/03/11	<b>SHEET</b> 1 OF 1