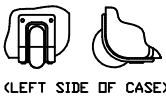


EDGE CASTER OPTION
P21-1307

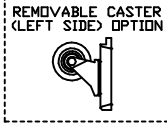


(LEFT SIDE OF CASE)

SKID RUNNER OPTION
(STACKABLE)
21-P62-04



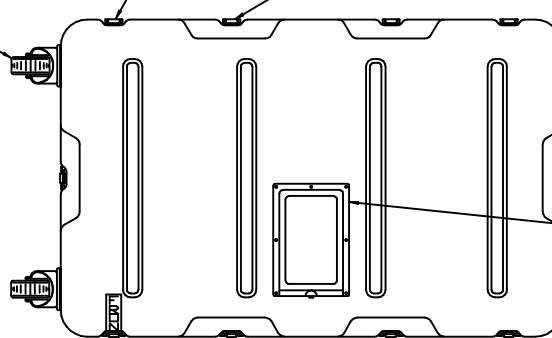
FIXED CASTER
(LEFT SIDE) OPTION



REMOVABLE CASTER
(LEFT SIDE) OPTION

HINGE OPTION

ON ALL CATCH CONTAINER LOCATE
2ND LOCKING DEVICE HERE



**
CARD HOLDER OPTION

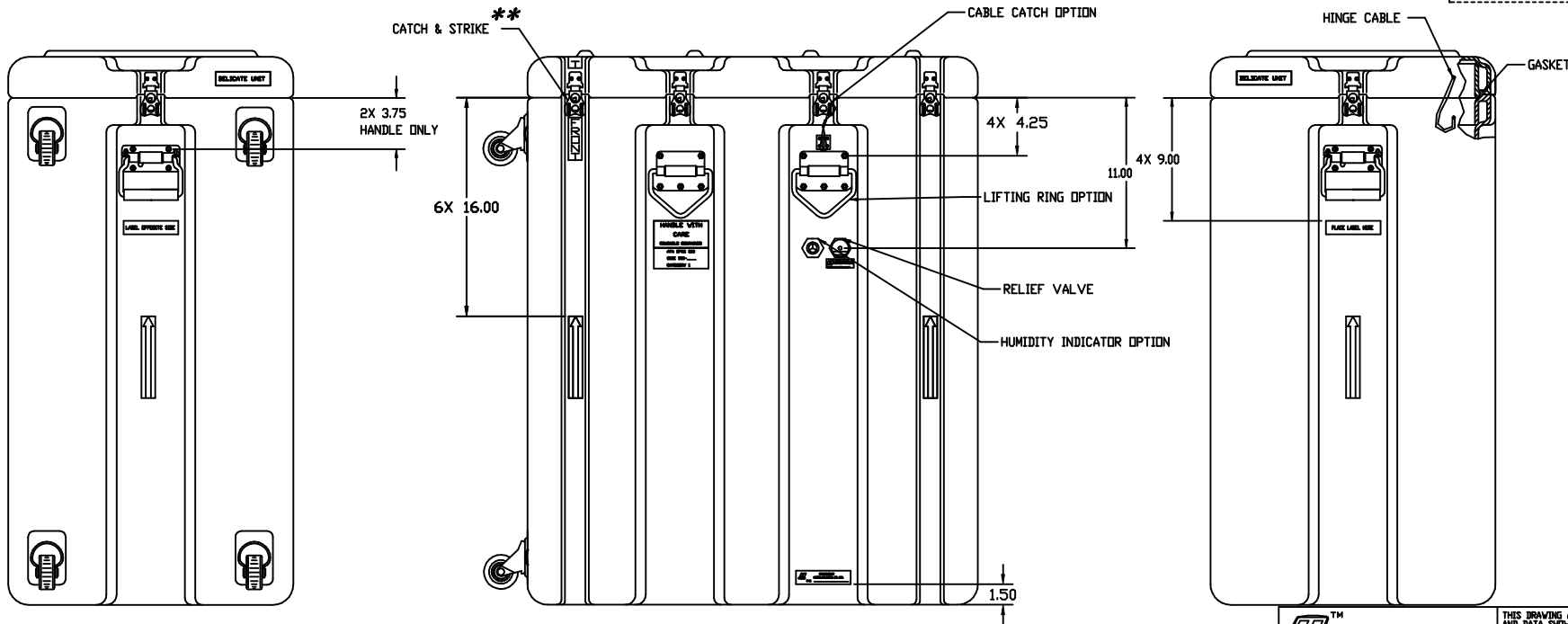
DIMENSIONS (FOR REFERENCE ONLY)	INCH	MM
OVERALL LENGTH (LEFT TO RIGHT)	32.75	831.9
OVERALL WIDTH (FRONT TO BACK)	20.87	530.1
OVERALL HEIGHT	40.68	1033.3
INSIDE LENGTH (LEFT TO RIGHT)	29.75	755.7
INSIDE WIDTH (FRONT TO BACK)	17.87	453.9
INSIDE HEIGHT	38.87	987.3
INSIDE BASE HEIGHT	36.25	920.8
INSIDE LID HEIGHT	2.62	66.5

** ALTERNATIVE HARDWARE IS
AVAILABLE FOR "**" ITEMS.

CASTER OPTION - CONTAINER BOTTOM
REMOVABLE STYLE ONLY



(MAKES CONTAINER NON-STACKABLE)



NOTE:
THIS DRAWING REPRESENTS HARDIGG'S STANDARD CASE OPTIONS,
LOCATED IN STANDARD LOCATIONS. IF ALTERNATIVE OPTIONS OR
LOCATIONS ARE REQUIRED, HARDIGG MUST QUOTE SEPERATELY.

HARDIGG INDUSTRIES, INC.
1214 3018-3602

TITLE: STANDARD CONFIGURABLE CASE

CAGE: 11214 DWS NO: 3018-3602

REV. A DRAWN BY: D. BOUSMET DATE: 93/30/02 SHEET: 1 OF 1

THIS DRAWING AND ALL COPIES AND THE DESIGN AND DATA SHOWN ARE THE PROPERTY OF HARDIGG INDUSTRIES, INC. SO. DEERFIELD, MA USA AND INCLUDE PROPRIETARY INFORMATION. THE BORROWER BY RECEIPT OR RETENTION OF THE DRAWING AGREES THAT, EXCEPT AS EXPRESSLY AUTHORIZED IN WRITING BY HARDIGG INDUSTRIES, INC. IT WILL (1) NOT USE THE DRAWING OR ANY COPY OF THE DESIGN OR DATA SHOWN (2) NOT REPRODUCE, COPY, EXCEPT, EXHIBIT OR DISTRIBUTE THE DRAWING OR ANY COPY FOR USE BY OTHERS AND (3) UPON DEMAND RETURN THE DRAWING AND ALL COPIES AND MATERIAL COPIED THEREFROM.