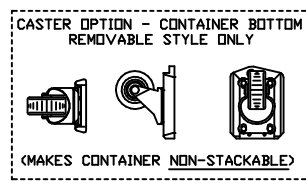
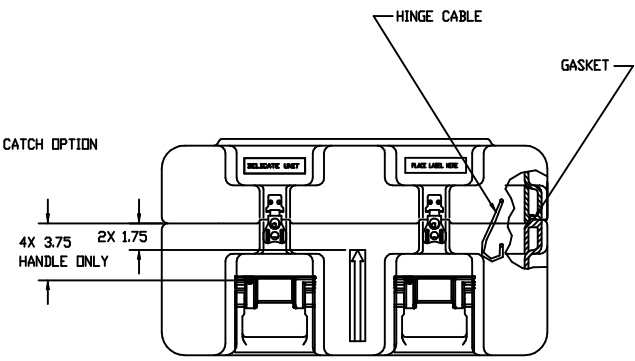
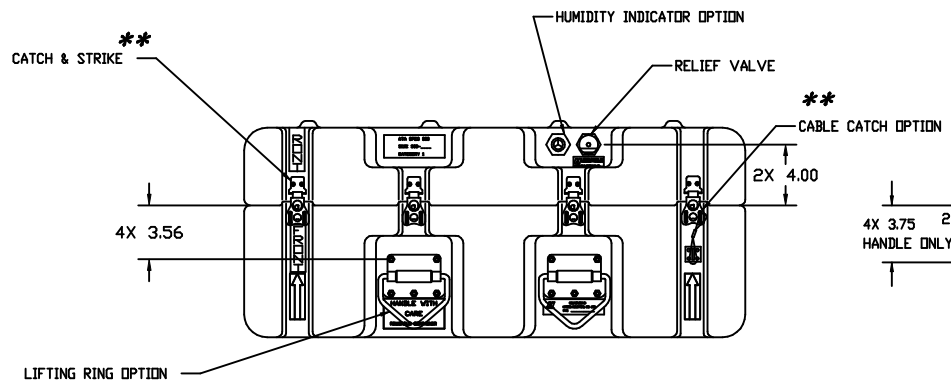
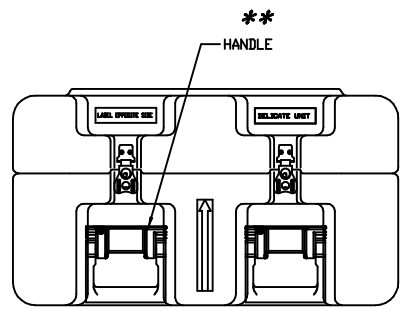
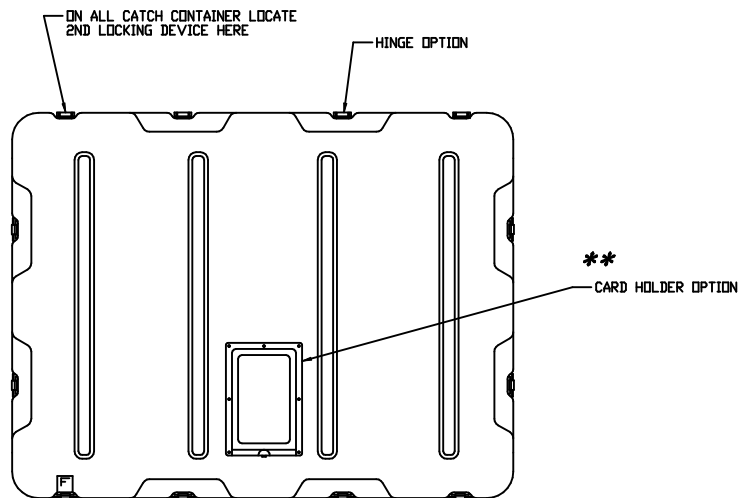


DIMENSIONS (FOR REFERENCE ONLY)	INCH	MM
OVERALL LENGTH (LEFT TO RIGHT)	33.00	838.2
OVERALL WIDTH (FRONT TO BACK)	25.18	639.6
OVERALL HEIGHT	14.87	377.7
INSIDE LENGTH (LEFT TO RIGHT)	30.00	762
INSIDE WIDTH (FRONT TO BACK)	22.18	563.4
INSIDE HEIGHT	12.18	309.4
INSIDE BASE HEIGHT	7.00	177.8
INSIDE LID HEIGHT	5.18	131.6

** ALTERNATIVE HARDWARE IS AVAILABLE FOR "***" ITEMS.



NOTE:
THIS DRAWING REPRESENTS HARDIGG'S STANDARD CASE OPTIONS, LOCATED IN STANDARD LOCATIONS. IF ALTERNATIVE OPTIONS OR LOCATIONS ARE REQUIRED, HARDIGG MUST QUOTE SEPARATELY.

HARDIGG INDUSTRIES, INC. <small>10000 BEECHFIELD, WASHINGTON 98043-0001</small>		<small>THIS DRAWING AND ALL COPIES AND THE DESIGN AND DATA SHOWN ARE THE PROPERTY OF HARDIGG INDUSTRIES, INC. SO BEECHFIELD, WA, USA AND INCLUDE PROPRIETARY INFORMATION. THE BORROWER BY RECEIPT OR RETENTION OF THE DRAWING AGREES THAT, EXCEPT AS EXPRESSLY AUTHORIZED IN WRITING BY HARDIGG INDUSTRIES, INC. IT WILL (1) NOT USE THE DRAWING OR ANY COPY OF THE DESIGN OR DATA SHOWN (2) NOT REPRODUCE, COPY, EXCEPT, EXHIBIT OR DISTRIBUTE THE DRAWING OR ANY COPY FOR USE BY OTHERS AND (3) UPON DEMAND RETURN THE DRAWING AND ALL COPIES AND MATERIAL COPIED THEREFROM.</small>
TITLE - STANDARD CONFIGURABLE CASE		
DATE 11/21/94	DWG. NO. 3022-0705	
DRAWN BY KATHY CHASE	DATE 93-05-03	SHEET 1 OF 1

E-3022-0705