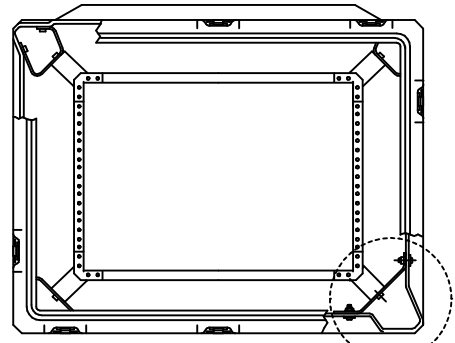
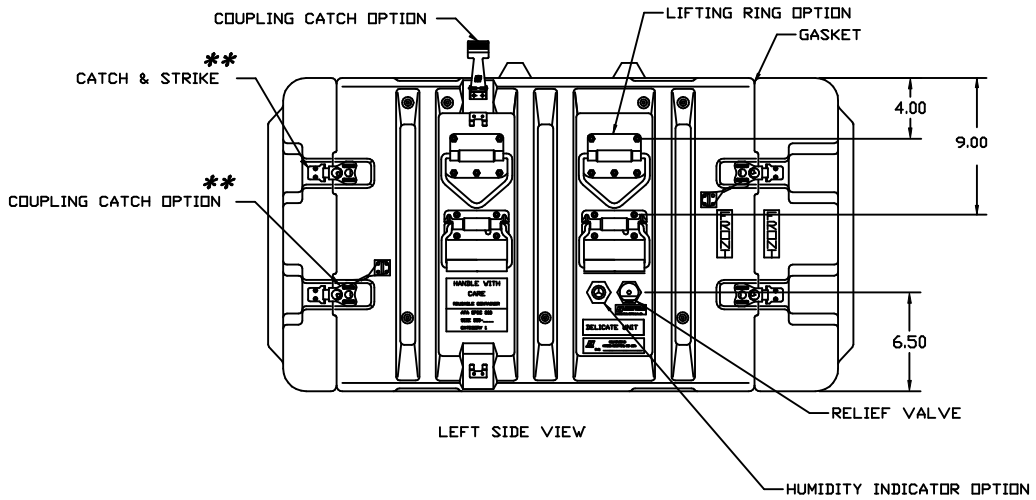


STANDARD FRAME: 7U
 THIS FRAME IS ALSO AVAILABLE AS
 1/8" WIDER, OR 1U TALLER, OR BOTH

DIMENSIONS (FOR REFERENCE ONLY)	INCH	MM
OVERALL LENGTH MID SECTION	27.38	695.3
OVERALL WIDTH MID SECTION	27.00	685.8
OVERALL HEIGHT MID SECTION	22.00	558.8
INSIDE WIDTH (LEFT TO RIGHT)	24.00	609.6
INSIDE HEIGHT	18.00	457.2
OVERALL 2.00 LID THICKNESS	4.00	101.6
INSIDE 2.00 LID DEPTH	2.63	66.7
OVERALL 5.00 LID THICKNESS	6.44	163.5
INSIDE 5.00 LID DEPTH	5.25	133.4

**** ALTERNATIVE HARDWARE IS AVAILABLE FOR "**" ITEMS.**



FRONT LID DESIGNATION REAR LID DESIGNATION

NOTE:
 THIS DRAWING REPRESENTS HARDIGG'S STANDARD CASE OPTIONS, LOCATED IN STANDARD LOCATIONS. IF ALTERNATIVE OPTIONS OR LOCATIONS ARE REQUIRED, HARDIGG MUST QUOTE SEPARATELY.

FOR ADDITIONAL CONTAINER OPTIONS SEE SEPARATE OPTION DRAWINGS

		THIS DRAWING AND ALL COPIES AND THE DESIGN AND DATA SHOWN ARE THE PROPERTY OF HARDIGG INDUSTRIES, INC. SO. IBERFIELD, WA USA AND INCLUDE PROPRIETARY INFORMATION. THE BORROWER BY RECEIPT OR RETENTION OF THE DRAWING AGREES THAT, EXCEPT AS EXPRESSLY AUTHORIZED IN WRITING BY HARDIGG INDUSTRIES, INC. IT WILL NOT USE THE DRAWING OR ANY COPY OF THE DESIGN OR DATA SHOWN (2) NOT REPRODUCE, COPY, EXCEPT, EXHIBIT OR DISTRIBUTE THE DRAWING OR ANY COPY FOR USE BY OTHERS AND (3) UPON DEMAND RETURN THE DRAWING AND ALL COPIES AND MATERIAL COPIED THEREFROM.	
TITLE: STANDARD CONFIGURABLE CASE			
CASE: 11214	DWG. NO.: DE2418-XX/27/XX		
REV. A	DRAWN BY: VERNE SPILLER	DATE: 92/01/08	SHEET: 1 OF 2

PART NO. DE2418