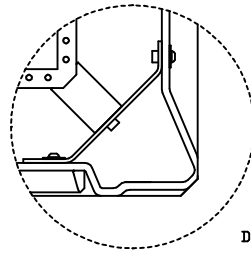


BOTTOM VIEW SHOWN WITH CASTER PLATES

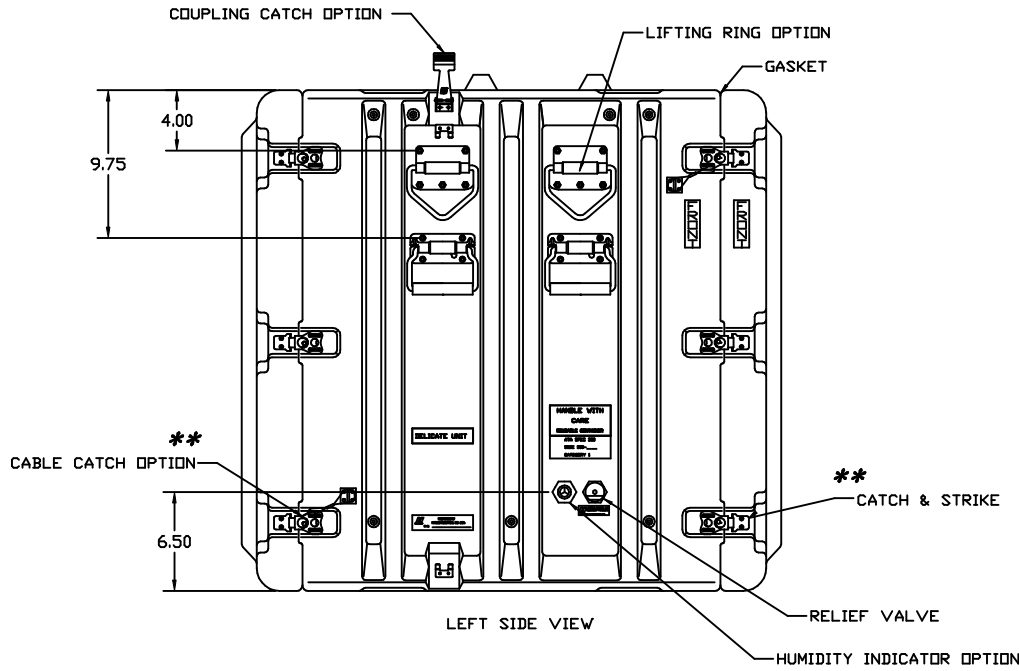


DETAIL "A"

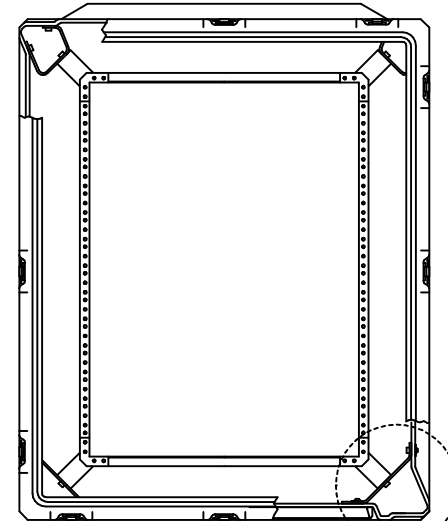
STANDARD FRAME: 14U  
THIS FRAME ALSO AVAILABLE AS 1/8" WIDER, OR 1U TALLER, OR BOTH

DIMENSIONS (FOR REFERENCE ONLY)	INCH	MM
OVERALL LENGTH MID SECTION	27.38	695.3
OVERALL WIDTH MID SECTION	26.75	679.5
OVERALL HEIGHT MID SECTION	34.00	863.6
INSIDE WIDTH (LEFT TO RIGHT)	23.75	603.3
INSIDE HEIGHT	30.00	762.0
OVERALL 2.00 LID THICKNESS	4.00	101.6
INSIDE 2.00 LID DEPTH	2.63	66.7
OVERALL 5.00 LID THICKNESS	6.44	163.5
INSIDE 5.00 LID DEPTH	5.25	133.4

\*\* ALTERNATIVE HARDWARE IS AVAILABLE FOR "\*\*" ITEMS.



LEFT SIDE VIEW



FRONT VIEW WITH LID REMOVED

SEE DETAIL "A"

FRONT LID DESIGNATION

REAR LID DESIGNATION

NOTE:  
THIS DRAWING REPRESENTS HARDIGG'S STANDARD CASE OPTIONS, LOCATED IN STANDARD LOCATIONS. IF ALTERNATIVE OPTIONS OR LOCATIONS ARE REQUIRED, HARDIGG MUST QUOTE SEPARATELY. FOR ADDITIONAL CONTAINER OPTIONS SEE SEPARATE OPTION DRAWINGS

NO WALL STIFFENER  
STD CONFIG UP TO 170 LBS  
FOR 170 LBS - 340 LBS SEE SHT 2

THIS DRAWING AND ALL COPIES AND THE DESIGN AND DATA SHOWN ARE THE PROPERTY OF HARDIGG INDUSTRIES, INC. SO. BICERFIELD, WA, USA AND INCLUDE PROPRIETARY INFORMATION. THE BORROWER BY RECEIPT OR RETENTION OF THE DRAWING AGREES THAT, EXCEPT AS EXPRESSLY AUTHORIZED IN WRITING BY HARDIGG INDUSTRIES, INC. IT WILL NOT USE THE DRAWING OR ANY COPY OF THE DESIGN OR DATA SHOWN (2) NOT REPRODUCE, COPY, EXCEPT, EXHIBIT OR DISTRIBUTE THE DRAWING OR ANY COPY FOR USE BY OTHERS AND (3) UPON DEMAND RETURN THE DRAWING AND ALL COPIES AND MATERIAL COPIED THEREFROM.			
TITLE: STANDARD CONFIGURABLE CASE			
CASE: 11214	DWG. NO: DE2430-XX/27/XX		
REV. B	DRAWN BY: VERNE SPILLER	DATE: 93/01/04	SHEET: 1 OF 3