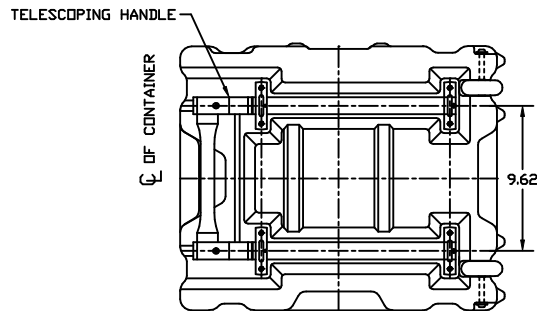
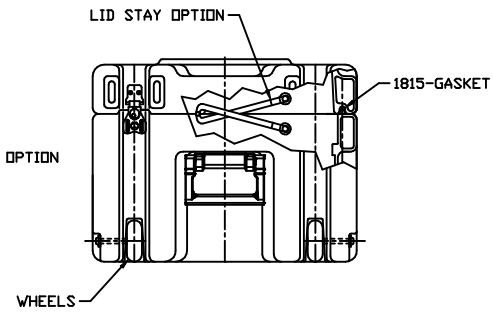
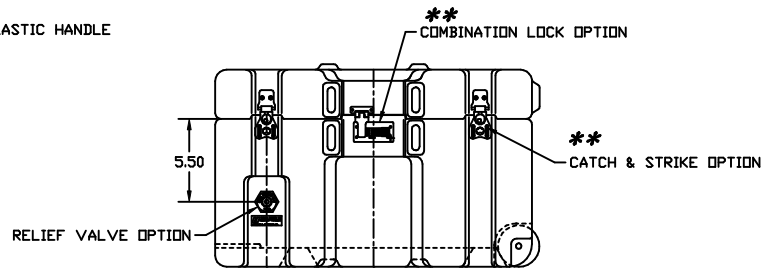
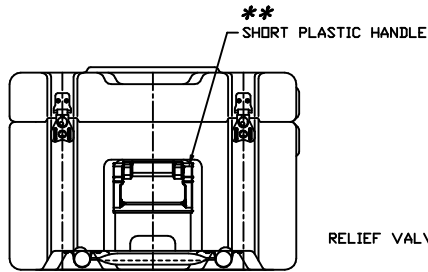
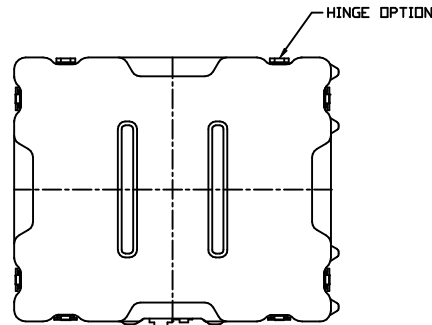


DIMENSIONS (FOR REFERENCE ONLY)	INCH	MM
OVERALL LENGTH (LEFT TO RIGHT)	21.00	533.4
OVERALL WIDTH (FRONT TO BACK)	17.50	444.5
OVERALL HEIGHT	13.44	341.4
INSIDE LENGTH (LEFT TO RIGHT)	18.00	457.2
INSIDE WIDTH (FRONT TO BACK)	14.50	368.3
INSIDE HEIGHT	11.38	289.9
INSIDE BASE HEIGHT	8.38	212.7
INSIDE LID HEIGHT	3.00	76.2

\*\* ALTERNATIVE HARDWARE IS AVAILABLE FOR "\*" ITEMS.



NOTE:  
THIS DRAWING REPRESENTS HARDIGG'S STANDARD CASE OPTIONS, LOCATED IN STANDARD LOCATIONS. IF ALTERNATIVE OPTIONS OR LOCATIONS ARE REQUIRED, HARDIGG MUST QUOTE SEPERATELY.

WEIGHT  
19 LBS

<b>HARDIGG INDUSTRIES, INC.</b> <small>807th BEEFIELD, MASSACHUSETTS 0270</small>		<small>THIS DRAWING AND ALL COPIES AND THE DESIGN AND DATA SHOWN ARE THE PROPERTY OF HARDIGG INDUSTRIES, INC. SEE BEEFIELD, MA U.S.A. AND INCLUDE PROPRIETARY INFORMATION. THE BORROWER BY RECEIPT OR RETENTION OF THE DRAWING AGREES THAT, EXCEPT AS EXPRESSLY AUTHORIZED IN WRITING BY HARDIGG INDUSTRIES, INC. IT WILL CO NOT USE THE DRAWING OR ANY COPY OF THE DESIGN OR DATA SHOWN CO NOT REPRODUCE, COPY, EXCEPT, EXHIBIT OR JUSTIFY THE DRAWING OR ANY COPY FOR USE BY OTHERS AND CO UPON DEMAND RETURN THE DRAWING AND ALL COPIES AND MATERIAL COPIED THEREFROM.</small>
<b>TITLE</b> STANDARD CONFIGURABLE CASE		
<b>CASE</b> 11214	<b>DWG. NO.</b> 1815-0903	
<b>DRAWN BY</b> K GOREY	<b>DATE</b> 98-1-22	
<b>SHEET</b> 1 OF 1		

1815-0903