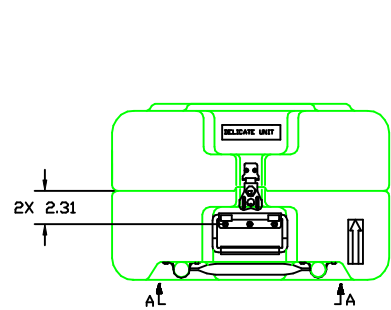
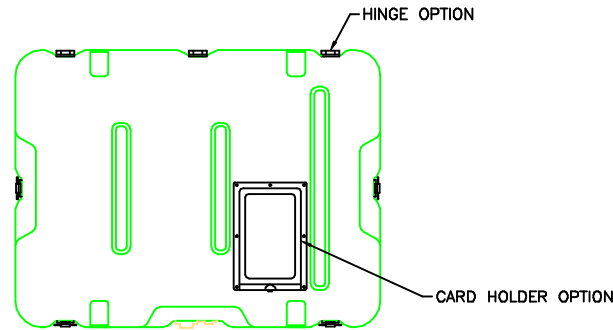
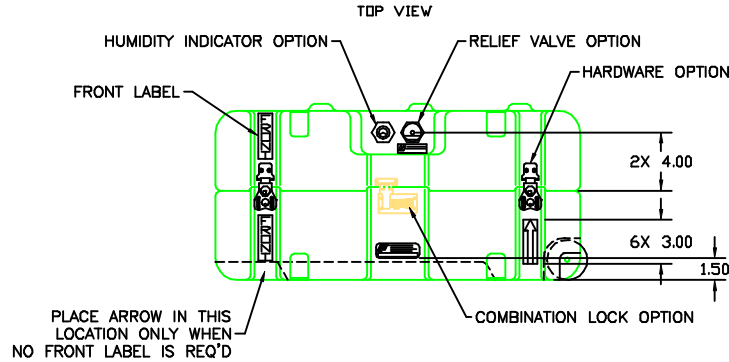


DIMENSIONS (FOR REFERENCE ONLY)	INCH	MM
OVERALL LENGTH (LEFT TO RIGHT)	25.02	635.5
OVERALL WIDTH (FRONT TO BACK)	19.02	483.1
OVERALL HEIGHT	12.13	308.1
INSIDE LENGTH (LEFT TO RIGHT)	22.00	558.8
INSIDE WIDTH (FRONT TO BACK)	16.00	406.4
INSIDE HEIGHT	8.31	211.0
INSIDE BASE HEIGHT	3.00	76.2
INSIDE LID HEIGHT	5.31	134.8

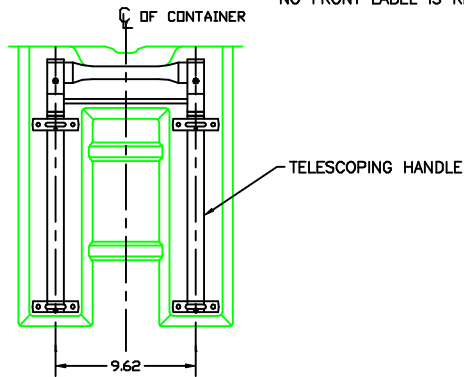
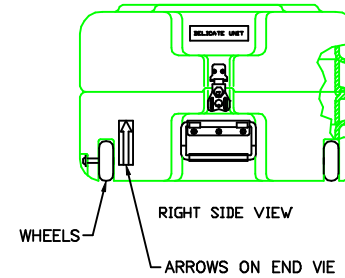
SEE SHEET 2 OF 2 FOR
BASE DEPTH DIMENSIONS



LEFT SIDE VIEW



FRONT VIEW



(PARTIAL) VIEW A-A

NOTE:
THIS DRAWING REPRESENTS HARDIGG'S STANDARD CASE OPTIONS, LOCATED IN STANDARD LOCATIONS. IF ALTERNATIVE OPTIONS OR LOCATIONS ARE REQUIRED, HARDIGG MUST QUOTE SEPARATELY.

HARDIGG INDUSTRIES, INC. <small>SEWTH BRIDGEVILLE, PENNSYLVANIA 15087</small>		<small>THIS DRAWING AND ALL COPIES AND THE DESIGN AND DATA SHOWN ARE THE PROPERTY OF HARDIGG INDUSTRIES, INC. SEWTH BRIDGEVILLE, PA, U.S.A. AND INCLUDE PROPRIETARY INFORMATION. THE BORROWER BY RECEIPT OR RETENTION OF THE DRAWING AGREES THAT, EXCEPT AS EXPRESSLY AUTHORIZED IN WRITING BY HARDIGG INDUSTRIES, INC. IT WILL NOT REPRODUCE OR USE THE DRAWING OR ANY COPY OF THE DESIGN OR DATA SHOWN OR NOT REPRODUCE COPY, EXCEPT, EXPORT OR DISTRIBUTION OF THE DRAWING OR ANY COPY FOR USE BY OTHERS AND UPON DEMAND RETURN THE DRAWING AND ALL COPIES AND MATERIAL COPIED THEREFROM.</small>
TITLE STANDARD CONFIGURABLE CASE		
CASE 11214	DWG. NO. GR-2216-0305	DATE 08/21/13
REV. DRAWN BY E. CLAIRE	SHEET 1 OF 2	

DRAWING NO. GR-2216-0305

UPPER MAIN SURFACE
▽ 4.6

2X ▽ 3.0

2X 1.0

VIEW LOOKING
INTO BASE

DEPTHS SHOWN ARE
FROM PARTING LINE

4.1

▽ 3.7

▽ 5.0

▽ 5.8


14.2

2.7

18.0

8X ▽ 4.5

NOTE:
THIS DRAWING REPRESENTS HARDIGG'S STANDARD CASE OPTIONS,
LOCATED IN STANDARD LOCATIONS. IF ALTERNATIVE OPTIONS OR
LOCATIONS ARE REQUIRED, HARDIGG MUST QUOTE SEPERATELY.

 **HARDIGG INDUSTRIES, INC.**
SOUTH BEEFELD, MASSACHUSETTS 01873

THIS DRAWING AND ALL COPIES AND THE DESIGN
AND DATA SHOWN ARE THE PROPERTY OF HARDIGG
INDUSTRIES, INC. SOUTH BEEFELD, MA U.S.A.
AND INCLUDE PROPRIETARY INFORMATION. THE
BORROWER BY RECEIPT OR RETENTION OF THE
DRAWING AGREES THAT, EXCEPT AS EXPRESSLY
AUTHORIZED IN WRITING BY HARDIGG INDUSTRIES,
INC. IT WILL NOT USE THE DRAWING OR ANY
COPY OF THE DESIGN OR DATA SHOWN OR NOT
REPRODUCE COPY, EXCEPT FOR JUST
REPLICATE THE DRAWING OR ANY COPY FOR USE BY
OTHERS AND UPON DEMAND RETURN THE
DRAWING AND ALL COPIES AND MATERIAL
COPIED THEREFROM.

TITLE
C STANDARD CONFIGURABLE CASE

CASE NO. 11214
DWG. NO. GR-2216-0305

REV. C
DRAWN BY CATHY LABRIE
DATE 000CT13
SHEET 2 OF 2

GR-2216-0305