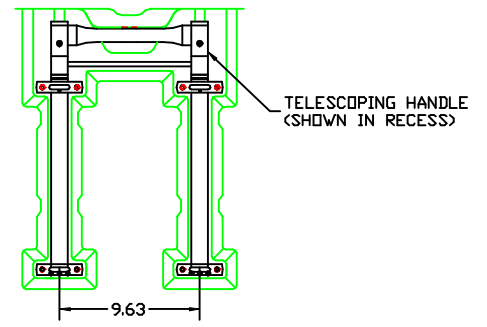
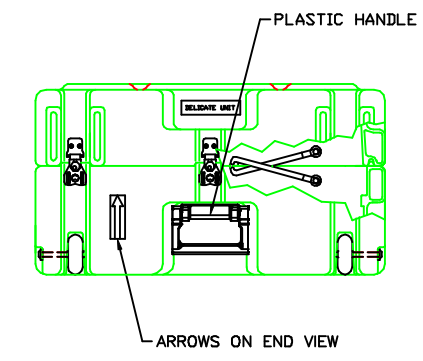
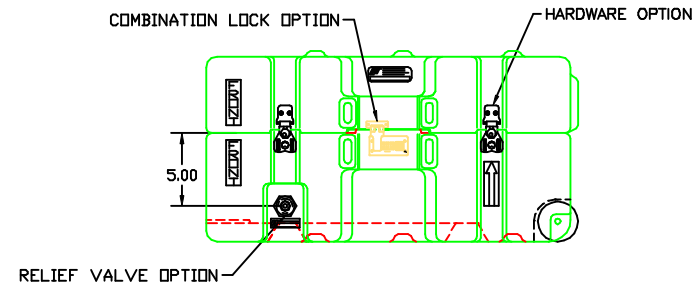
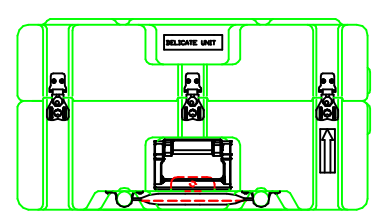
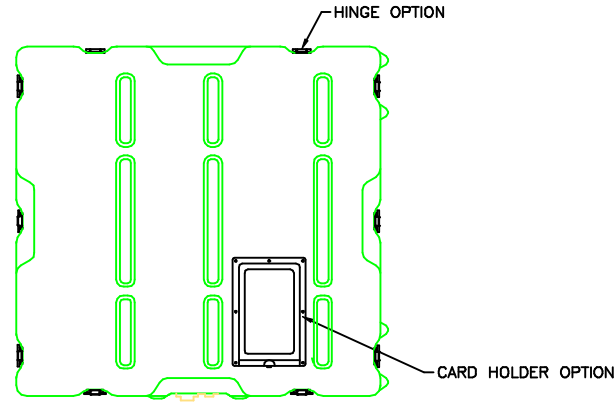


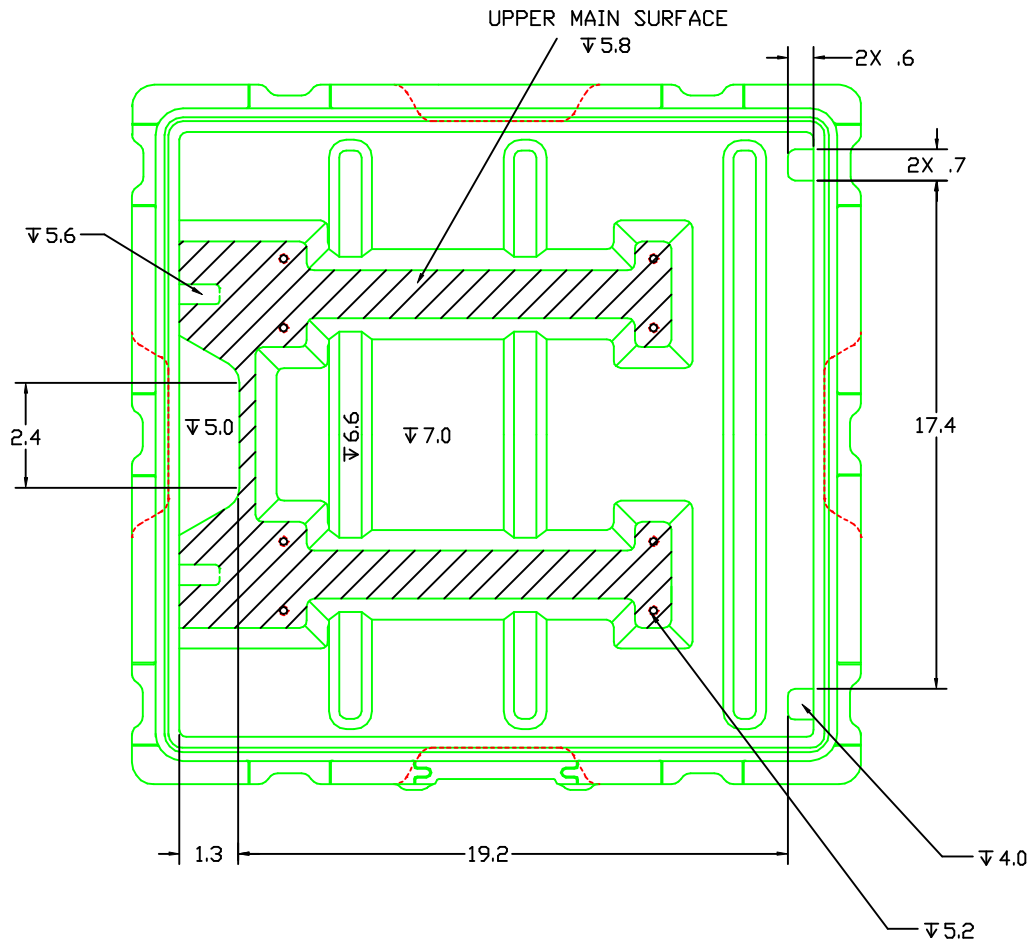
DIMENSIONS (FOR REFERENCE ONLY)	INCH	MM
OVERALL LENGTH (LEFT TO RIGHT)	24.39	619.5
OVERALL WIDTH (FRONT TO BACK)	23.41	594.7
OVERALL HEIGHT	12.37	314.2
INSIDE LENGTH (LEFT TO RIGHT)	22.50	571.5
INSIDE WIDTH (FRONT TO BACK)	21.50	546.1
INSIDE HEIGHT	8.94	227.0
INSIDE BASE HEIGHT	4.00	101.6
INSIDE LID HEIGHT	4.94	125.3



NOTE:
THIS DRAWING REPRESENTS HARDIGG'S STANDARD CASE OPTIONS, LOCATED IN STANDARD LOCATIONS. IF ALTERNATIVE OPTIONS OR LOCATIONS ARE REQUIRED, HARDIGG MUST QUOTE SEPARATELY.

HARDIGG INDUSTRIES, INC. <small>1000 W. BROADWAY, NEW BRUNSWICK, NJ 08901</small>		<small>THIS DRAWING AND ALL COPIES AND THE DESIGN AND DATA SHOWN ARE THE PROPERTY OF HARDIGG INDUSTRIES, INC. SO, NEW BRUNSWICK, NJ, U.S.A. AND INCLUDE PROPRIETARY INFORMATION. THE BORROWER BY RECEIPT OR RETENTION OF THE DRAWING AGREES THAT, EXCEPT AS EXPRESSLY AUTHORIZED IN WRITING BY HARDIGG INDUSTRIES, INC. IT WILL NOT USE THE DRAWING OR ANY COPY OF THE DESIGN OR DATA SHOWN OR NOT REPRODUCE COPY, EXCEPT EXPORT OR JUST-REBATE THE DRAWING OR ANY COPY FOR USE BY OTHERS AND UPON DEMAND RETURN THE DRAWING AND ALL COPIES AND MATERIAL COPIED THEREFROM.</small>
TITLE STANDARD CONFIGURABLE CASE		
CASE 11214	DWG. NO. GR-2221-0405	SHEET 1 OF 2
REV. DRAWN BY E. CLAIRE	DATE 08/21/13	


GR-2221-0405



VIEW LOOKING
INTO BASE

DEPTHS SHOWN ARE
FROM PARTING LINE

NOTE:
THIS DRAWING REPRESENTS HARDIGG'S STANDARD CASE OPTIONS,
LOCATED IN STANDARD LOCATIONS. IF ALTERNATIVE OPTIONS OR
LOCATIONS ARE REQUIRED, HARDIGG MUST QUOTE SEPERATELY.

 HARDIGG INDUSTRIES, INC. <small>SEWELL, MASSACHUSETTS 01972</small>		<small>THIS DRAWING AND ALL COPIES AND THE DESIGN AND DATA SHOWN ARE THE PROPERTY OF HARDIGG INDUSTRIES, INC. SEWELL, MA, U.S.A. AND INCLUDE PROPRIETARY INFORMATION. THE BORROWER BY RECEIPT OR RETENTION OF THE DRAWING AGREES THAT, EXCEPT AS EXPRESSLY AUTHORIZED IN WRITING BY HARDIGG INDUSTRIES, INC. IT WILL NOT USE THE DRAWING OR ANY COPY OF THE DESIGN OR DATA SHOWN OR NOT REPRODUCE COPY, EXCEPT FOR USE BY OTHERS AND UPON DEMAND RETURN THE DRAWING AND ALL COPIES AND MATERIAL COPIED THEREFROM.</small>
TITLE STANDARD CONFIGURABLE CASE		
CASE 11214	DWG. NO. GR-1917-0405	DATE 08/21/13
REV. DRAWN BY CATHY LABRIE	SHEET 2 OF 2	

GR-2221-0405