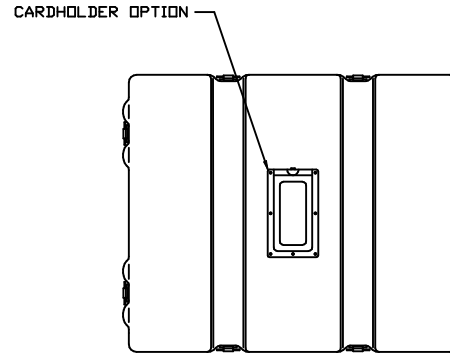
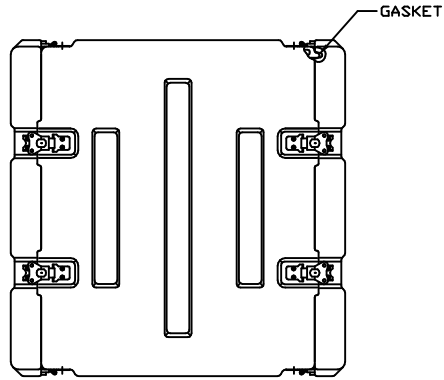
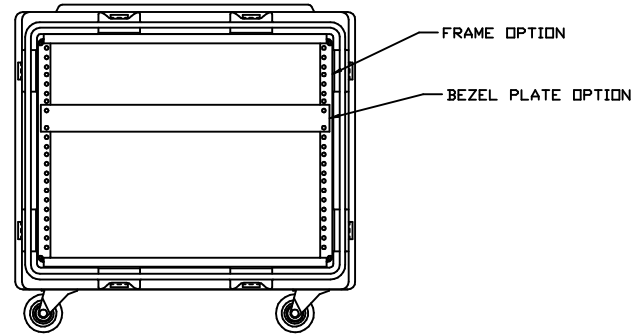
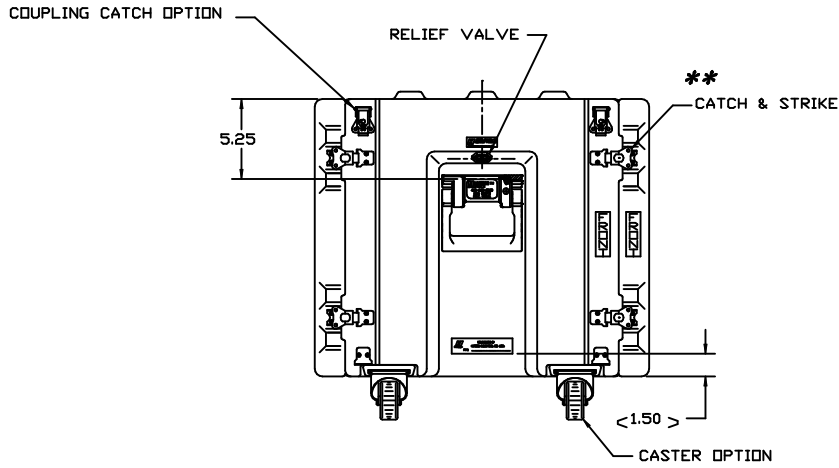


DIMENSIONS (FOR REFERENCE ONLY)	INCH	MM
OVERALL LENGTH MID SECTION	18.00	457.2
OVERALL WIDTH MID SECTION	22.38	568.5
OVERALL HEIGHT MID SECTION	18.75	476.2
INSIDE WIDTH (LEFT TO RIGHT)	19.63	498.6
INSIDE HEIGHT	15.50	393.7
OVERALL 2.00 LID THICKNESS	2.35	59.7
INSIDE 2.00 LID DEPTH	1.81	46.0

** ALTERNATIVE HARDWARE IS AVAILABLE FOR "***" ITEMS.



FRONT VIEW



FRONT VIEW
(WITH LIDS REMOVED)

NOTE: THIS DRAWING REPRESENTS HARDIGG'S STANDARD CASE OPTIONS, LOCATED IN STANDARD LOCATIONS. IF ALTERNATIVE OPTIONS OR LOCATIONS ARE REQUIRED, HARDIGG MUST QUOTE SEPARATELY.

HARDIGG INDUSTRIES, INC. <small>10000 BEEFIELD RD. BEEFIELD, PA 15005</small>		THIS DRAWING AND ALL COPIES AND THE DESIGN AND DATA SHOWN ARE THE PROPERTY OF HARDIGG INDUSTRIES, INC. SO BEEFIELD, PA, USA AND INCLUDE PROPRIETARY INFORMATION. THE BORROWER BY RECEIPT OR RETENTION OF THE DRAWING AGREES THAT, EXCEPT AS EXPRESSLY AUTHORIZED IN WRITING BY HARDIGG INDUSTRIES, INC. IT WILL (1) NOT USE THE DRAWING OR ANY COPY OF THE DESIGN OR DATA SHOWN (2) NOT REPRODUCE, COPY, EXCEPT, EXHIBIT OR DISTRIBUTE THE DRAWING OR ANY COPY FOR USE BY OTHERS AND (3) UPON DEMAND RETURN THE DRAWING AND ALL COPIES AND MATERIAL COPIED THEREFROM.
TITLE - STANDARD CONFIGURABLE CASE		
DWG. NO. 11214	DATE HM2015-01/18/01	
REV. C DRAWN BY: APINTE	DATE 93/05/10	SHEET 1 OF 1

I-HM2015