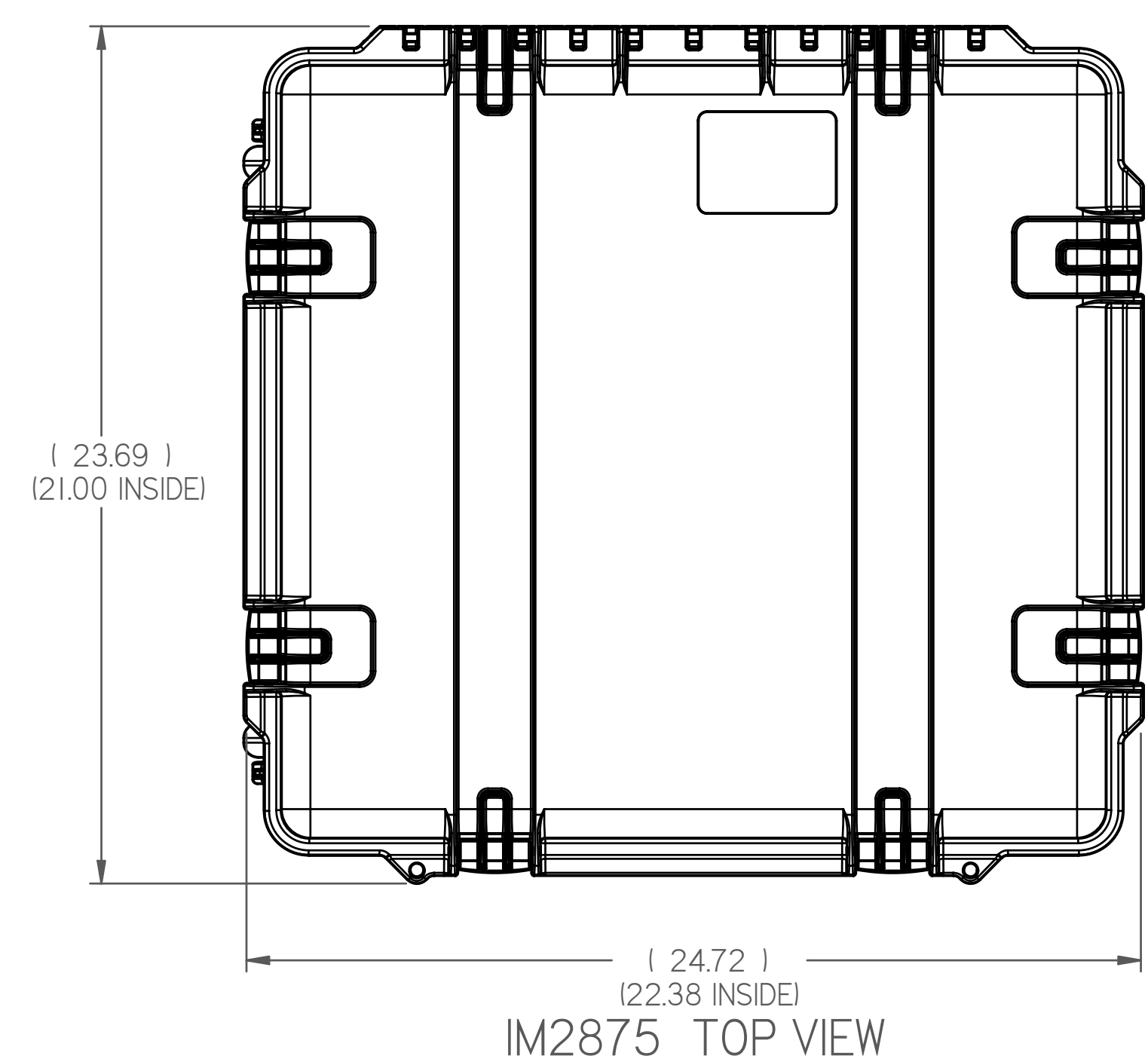
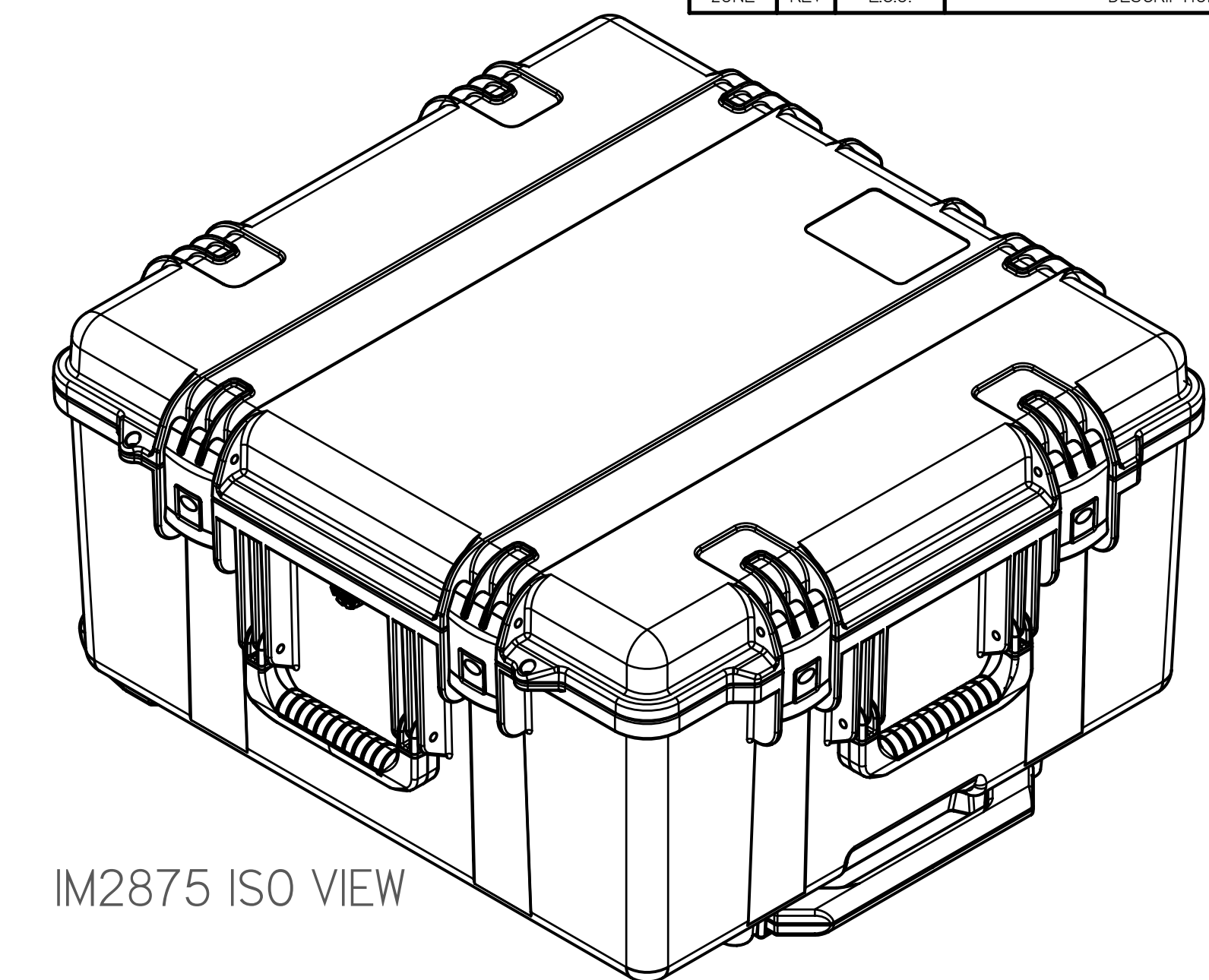


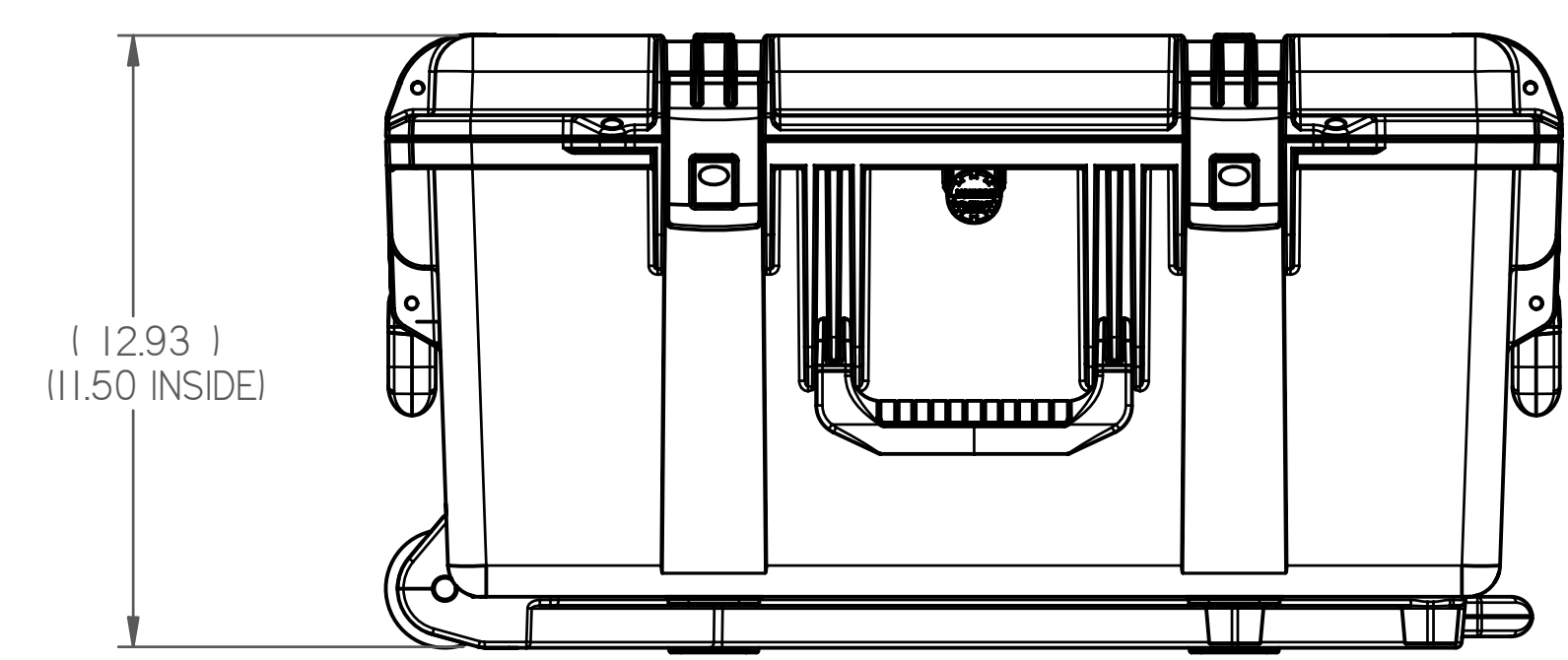
REVISION HISTORY					
ZONE	REV	E.C.O.	DESCRIPTION	BY/DATE	APPROVED/DATE



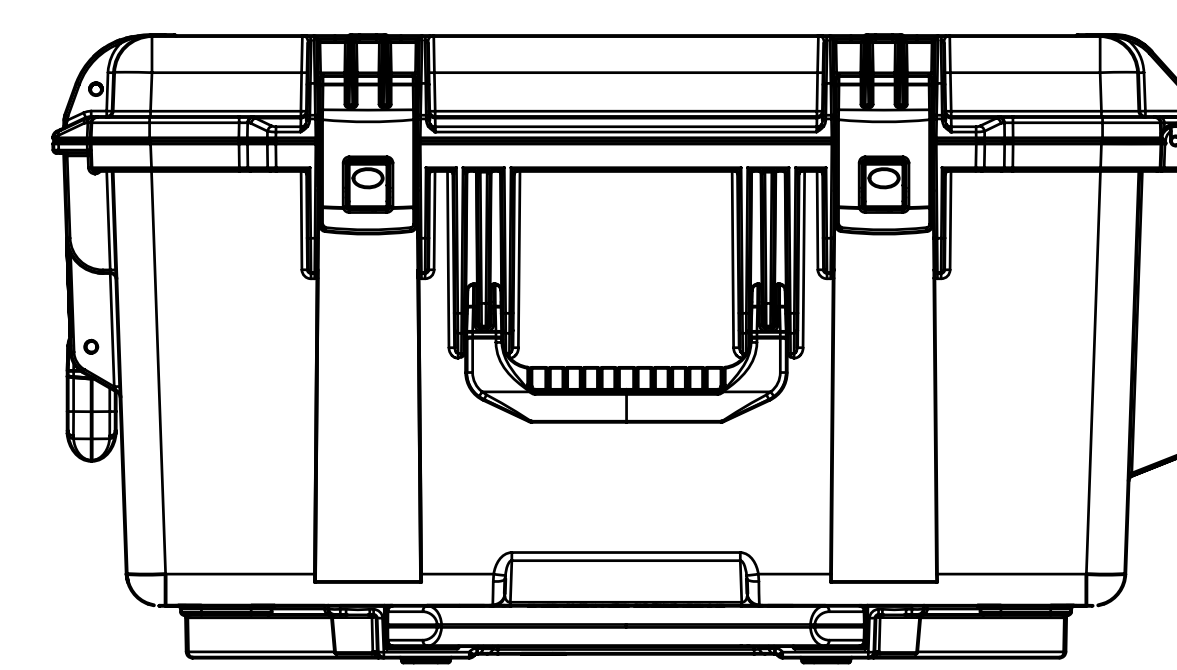
IM2875 TOP VIEW



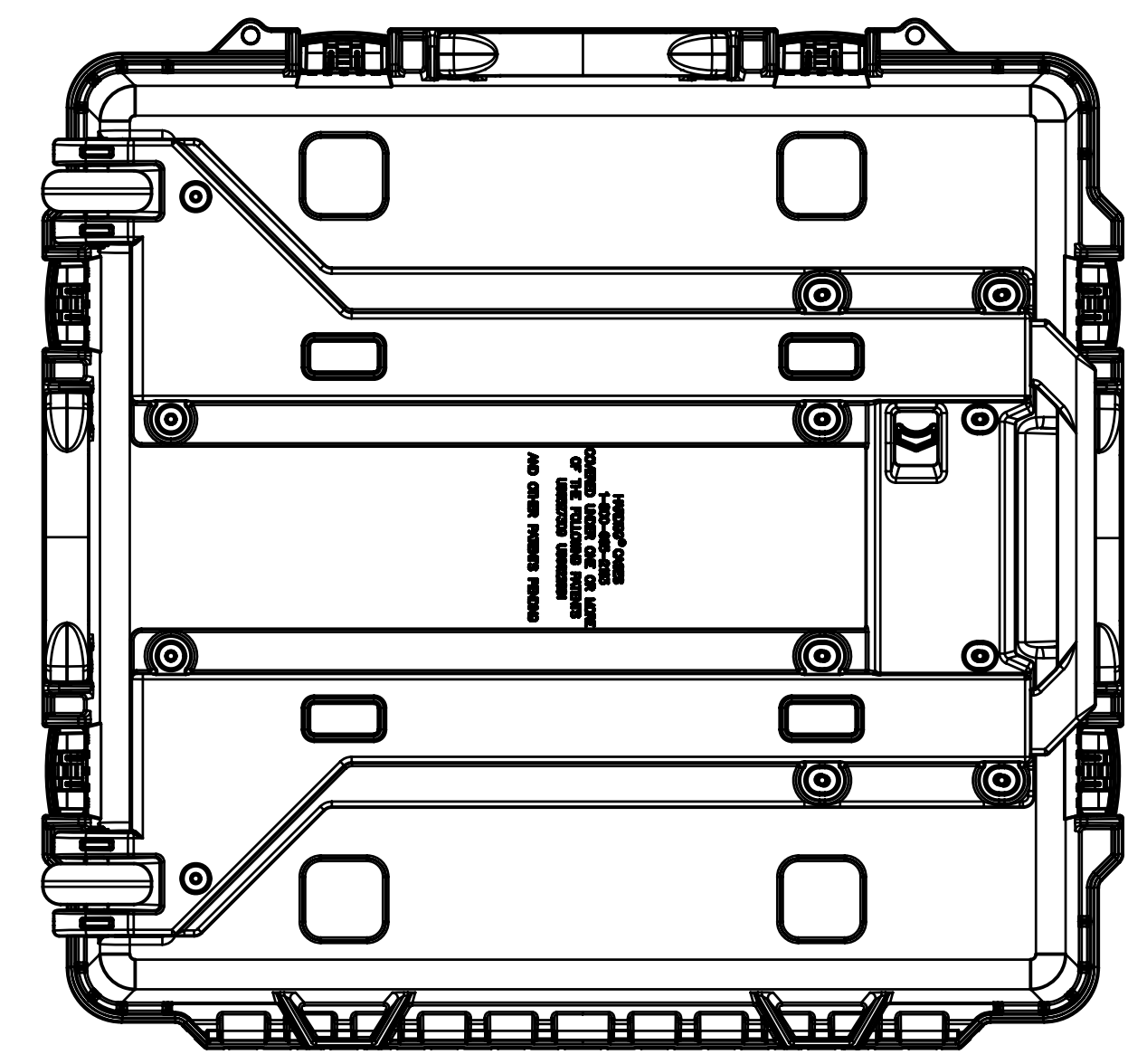
IM2875 ISO VIEW



IM2875 FRONT VIEW



IM2875 R. SIDE VIEW



IM2875 BOTTOM VIEW

NOTES:
I. DIMENSIONS ARE IN INCHES AND ARE FOR REFERENCE ONLY.

CUST: -
UNIT: -
CONTRACT NO. -

COMPUTER CONTROLLED DOCUMENT
MANUAL CHANGES NOT ALLOWED

NEXT ASSY.	FINAL	SCALE	1/4
TOLERANCE	UNLESS OTHERWISE SPECIFIED	± .XX	± .XXX
DR.	C.GHIZ	DATE	07-10-16
CHKD.		DATE	07-01-25
		APVD.	

HARDIGG® **HARDIGG**® **INDUSTRIES, INC.**
South Deerfield, Massachusetts
01373 USA

This drawing and all copies and the design and data shown are the property of HARDIGG INDUSTRIES, INC. So. Deerfield, MA USA and include proprietary information. The borrower by receipt or retention of the drawing agrees that, except as expressly authorized in writing by HARDIGG INDUSTRIES, INC. it will (1) not use the drawing or any copy of the design or data shown (2) not reproduce, copy, except, exhibit or distribute the drawing or any copy for use by others and (3) upon demand return the drawing, all copies and all material copies therefrom.

TITLE			
IM2875			
SIZE	CAGE CODE	DWG NO.	REV
D	11214	REFERENCE	-
PROJ. NO.	IM2875	SHEET	1 OF 1

DWG NO. REFERENCE SH. OF 1 REV -